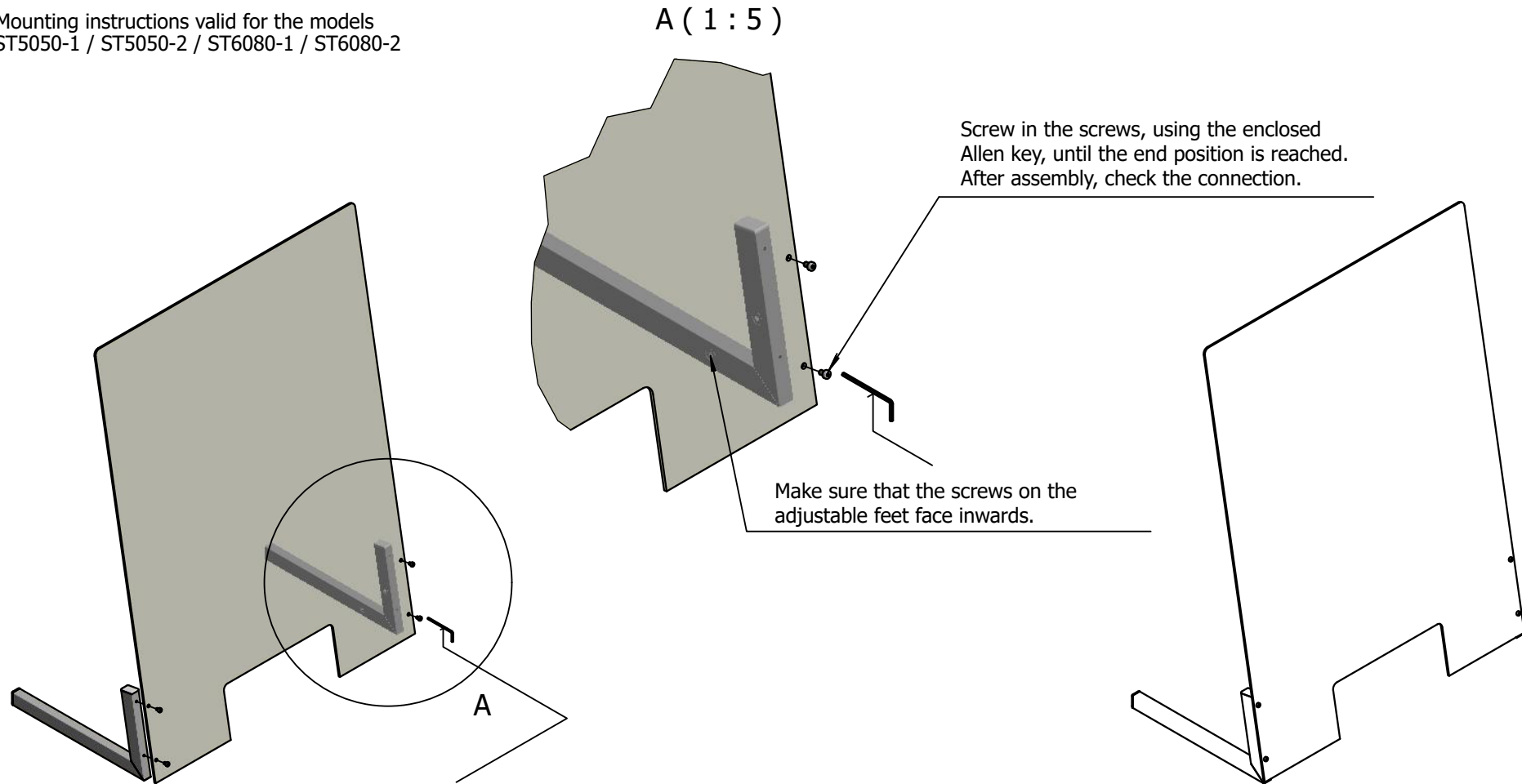


M-COV-1.1: MOUNTING INSTRUCTIONS SPITTOON GUARD

Assembly Instructions

Mounting instructions valid for the models
ST5050-1 / ST5050-2 / ST6080-1 / ST6080-2



Care must be taken to ensure that the spittoon guard is set up on a level surface and secured against tilting in accordance with the circumstances.