

# WALL WASHER

M 1497

DATA SHEET + ASSEMBLY



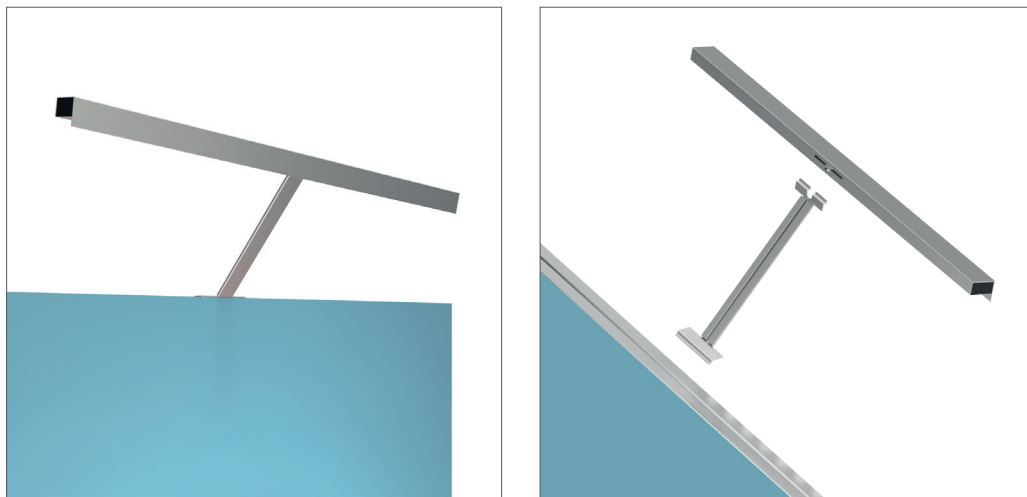
- Item N°: M 1497
- Light Color: 5700 K
- Surface: silver or black matt
- Dimmer: dimmable via external dimmer

## Wallwasher

M 1497

### WALLWASHER WITH HOLDING ARM, SUPPLY LINE AND EXTERNAL CONVERTER

The Wallwasher M 1497 is characterized by full-surface illumination across the entire height. An area of 1000 mm width and 2500 mm height is illuminated uniformly and shadow-free with a light output of 3500 lumens - without any hotspots. 5700 K provide a neutral light color and 16 high-power LEDs with lens optics ensure homogeneous illumination.



### INSTALLATION IS QUITE EASY

The holding arm is swiveled into the system groove at the desired position. The wallwasher is designed in such a way that it can be integrated into any type of our OCTAwall and Maxima series from 40 - 120 mm. The only requirement is a system groove at the top of the extrusion. The supply cable is 1000 mm from converter to lamp, and 2500 mm from converter to 100-230V socket.

### SPACE-SAVING AND SECURE PACKING

The light element and the holding arm are two separate components that are connected by simply hooking them into each other. This allows all components to be stored in one package to save space.

### TECHNICAL DATA

- Manufacturer: OCTANORM-Vertriebs-GmbH für Bauelemente  
Raiffeisenstraße 39  
70794 Filderstadt  
T. +49 711 7700-30  
www.octanorm.com
- Item: Wallwasher
- Description: Wallwasher with holding arm and external power supply unit (24V/36W)  
dimmable via external dimmer (not included)
- Properties: dimmable via external dimmer (not included)
- Dimensions: B 812 × H 263 × T 166 mm from center of groove
- Material Housing: Aluminium, matt powder-coated
- Material Lateral Surface: Plastic matt black
- Connection: 230V/50Hz, 5700 K/28 W
- Number of LEDs: 16 pcs
- Housing Protection: IP 20
- Electrical Protection Class: SKII
- Light Color: 5700 K
- Luminous Flux/lm per Watt: 3600 lm/125lm/W
- Efficiency: Energy efficiency class A
- Light Distribution: 100% direct beam, asymmetrisch wide beam RA > 90

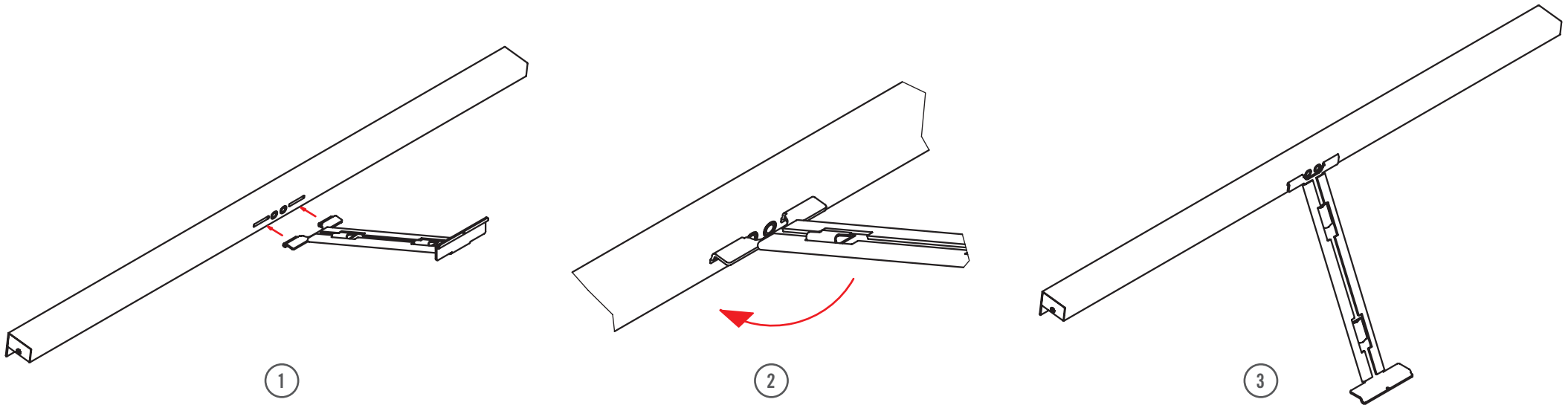
Average rated life of the light source: L80 > 50.000 hours

### CLEANING AND CARE INSTRUCTIONS

Before cleaning, disconnect the lamp from the power supply. Do not use any corrosive or abrasive cleaning agents, but clean the lamp dry, e.g. with a microfiber cloth.

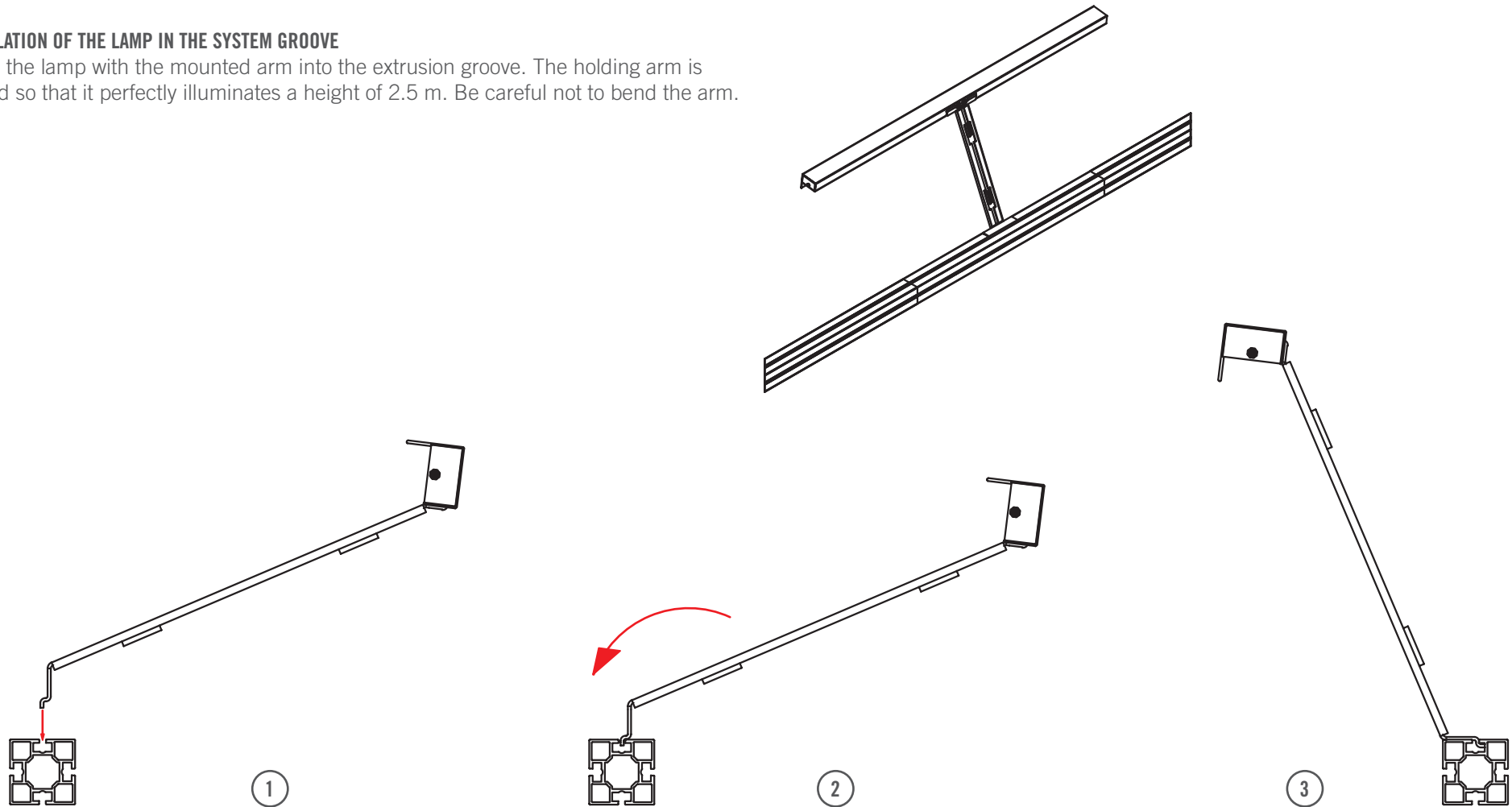
## ASSEMBLY OF LAMP HEAD AND HOLDING ARM

Insert the holding arm into the milled holes until you feel resistance. Then tilt the holding arm without working against any resistance, so that it engages in the millings. In this position, the lamp head can no longer detach from the holder. To detach the holder from the light head again, follow the steps in reverse order.



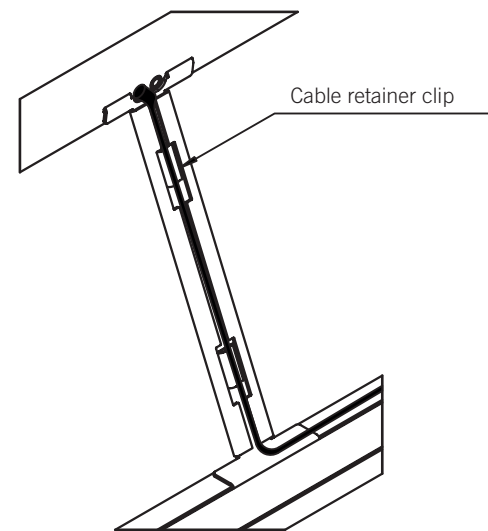
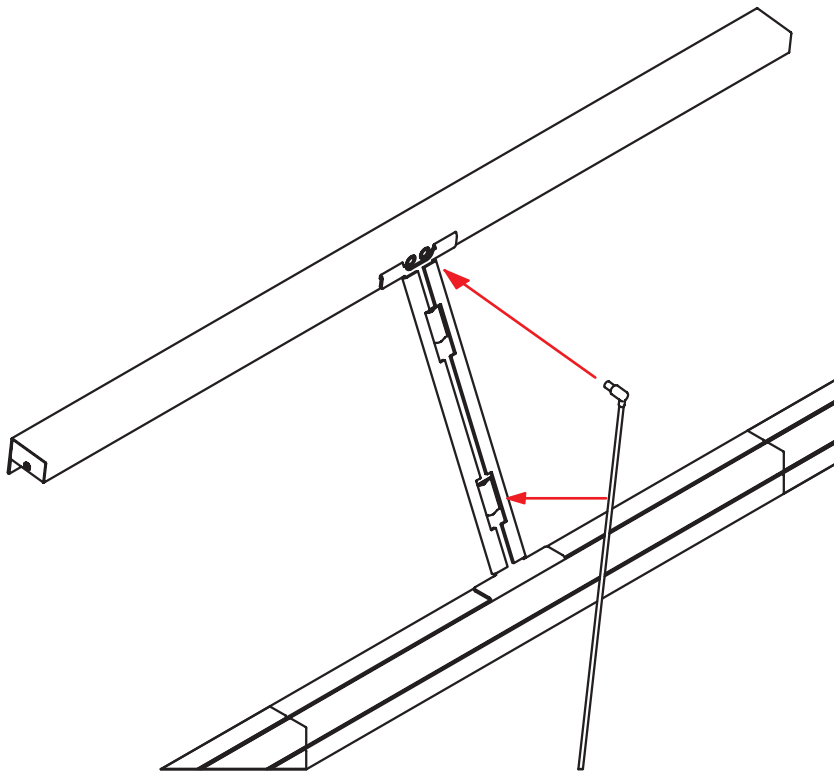
## INSTALLATION OF THE LAMP IN THE SYSTEM GROOVE

Swivel the lamp with the mounted arm into the extrusion groove. The holding arm is aligned so that it perfectly illuminates a height of 2.5 m. Be careful not to bend the arm.



## WIRING

A power supply unit is supplied together with the lamp for connection. The power supply cable is plugged into one of the sockets on the light head to supply the lamp with power. The remaining socket can be used with a forwarding cable if further wallwashers are to be connected in series. The remaining cable can be inserted into the retaining clips on the holding arm to take the strain off the cable all the way to the power supply.

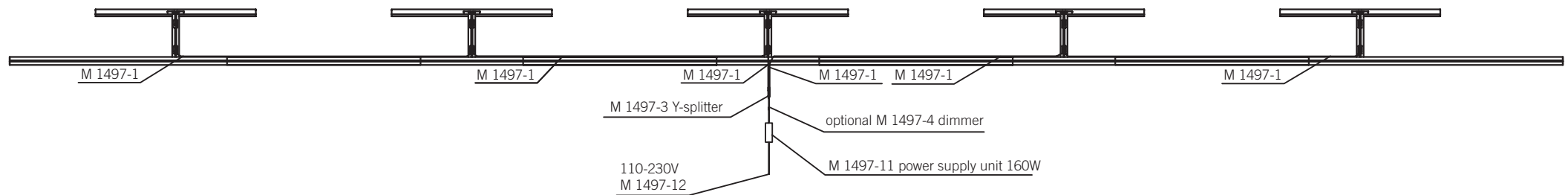


### WIRING

Interconnect a maximum of 5 wallwashers per 160W power supply unit.  
Connect a maximum of 3 wallwashers in series after a 160W power supply or a Y-splitter that is connected after a power supply.

### Danger!

**Never connect more than 5 wallwashers to one M1497-11 power supply unit and never more than 3 in series.**



### Used components:

6 × M 1497-1  
connection cable

1 × M 1497-3  
Y-splitter

1 × M 1497-12  
power cord

1 × M 1497-11  
power supply unit 160W/24V

optional 1 × M 1497-4  
dimmer

