

Mini wireless-sync-control led dimmer with touch remote

Controller adopts the most advanced PWM (Pulse Width Modulation) digital control technology, it is used for controlling constant voltage LED lamps. For instance, point source of light, flexible light strip, led modules, led strings and so on.



1. PRODUCT FEATURES

- Designed for M 1497 wallwasher
- DC12-24V, output current: 1ch*6A(DIM)
- Adopts RF remote control, no need line-of-sight
- Wireless-sync-control in both static color and dynamic modes, unlimited by remote control distance
- Batch-operation is available for RF code matching/clearing between remote control and receivers
- Memory function, each time power-on reserve the mode which stop in the last power-off
- Perfect control effect, soft dim function
- Long-press the brightness and speed key can get the fast adjustment, convenient for operation
- Also adopts Button function for switch on/off and change color
- Warranty of this product is one year, exclude the artificial situation of damaged or overload working

2. TECHNICAL PARAMETERS

Controller

- Working temperature: -20 - 60°C
- Static power consumption: <1W
- Grayscale: infinitely variable
- External dimension: L 48 × W 26 × H 13 mm
- Net weight: 20g
- RF frequency: 2.4GHz
- Output color order settable: Yes, RGB/RGBW
- Output: DIM 1 CH
- PWM frequency: 1.95KHz
- Supply voltage: DC 12V-24V
- Speed stage: infinitely variable
- Packing size: L 100 × W 65 × H 40 mm
- Gross weight: 40g
- RF distance: ≤20m
- Memory function: Yes
- Output current: ≤6Am (total) DIM:1 × 6A
- Max. Output power: 12V: <72W, 24V: <144W

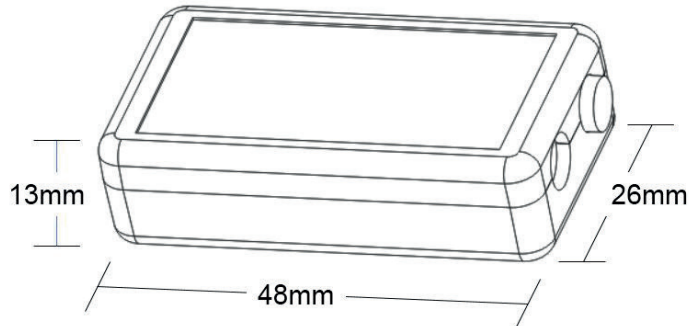
Touch remote control

- Working temperature: -20 - 60°C
- Standby current: 8uA
- Standby power: 36uW
- Net weight: 65g
- RF distance: ≤20m
- Supply voltage: 4.5V (AAA 3pcs)
- Working current: 30mA
- Working power: 135mW
- External dimension: L 150 × W 40 × H 20 mm
- RF frequency: 433.92MHz

M 1497-4 DIMMER FOR WALLWASHER

User Manual M-OWP 1.1

3. DIMENSION



4. INTERFACE SPECIFICATIONS

Input port: DC plug (2.1/5.5)

Output port: DC plug for DIM



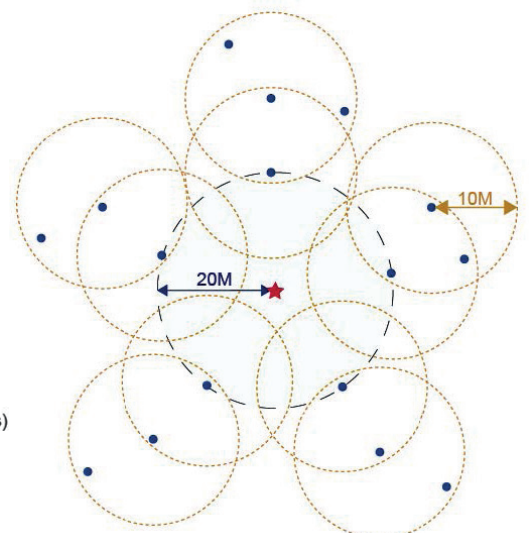
Button:



5. DIRECTION FOR USE

Wireless-synchronization function

Receivers will transmit the control signals from the remote control and self-inspection the work statuses for each other, so multiple receivers in same zone will wireless-sync-work completely, not only static mode but also dynamic mode, to achieve wired-like operation experience.



- ★ Remotecontrol(20meters)
- Receiver(10meters)

Button control function

1. Short pressing to switch on/off the light in any time.
2. Long-pressing during the controller in working state, the output light brightness, just release press when you get the correct brightness.

6. TOUCH REMOTE

Adopts RF full touch control, with one dimming ring and 5 function buttons.

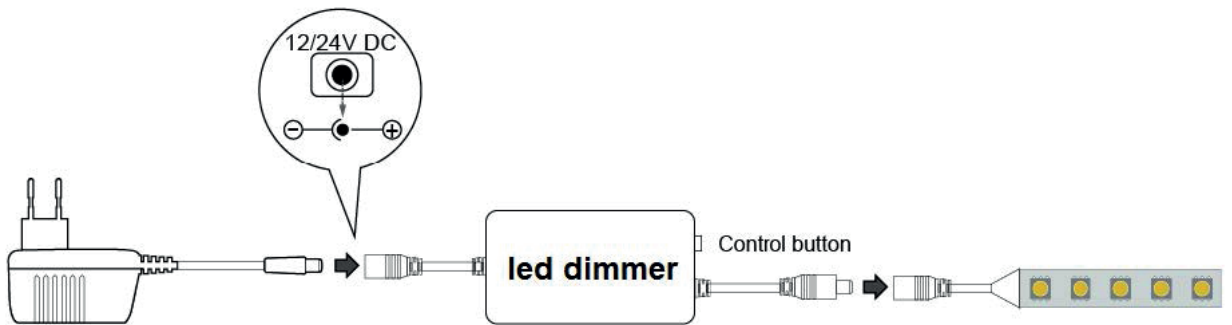
Tips: Without any operation more than 20 seconds, the touch remote will enter the sleep state, please **SHAKE** the remote to wake up it before the next using.



NAME OF KEY	INSTRUCTION	REMARKS
Off	Off in any time	
On	On in any time	
Mode	The mode will go to next, when you touch the key each time	2 modes in total: fade or flash (speed is adjustable, brightness is unadjustable)
Speed/Brightness +	The speed/brightness will +1, when you touch the key each time	Speed for dynamic modes, brightness for static modes
Speed/Brightness -	The speed/brightness will -1, when you touch the key each time	Speed for dynamic modes, brightness for static modes
Dimming Ring	For brightness selection	

7. TYPICAL APPLICATIONS

Application Circuit 1: Single color (DC plug 2.1/5.5)



8. ABOUT RF CODE

The biggest advantage of this system is that it can not only solve the cabling problem in engineering wirelessly, but also realize a wired-like operation experience. In order to facilitate the early testing and debugging of the project, the factory status of the receiver is normally unpaired and each remote controller has a unique code value. The user should perform the matching work of the remote controller and the receiver during the installation of the project to avoid the mutual influence of the radio frequency remote control technology during the later use.

Please pay attention to the following 3 points before operation:

- All equipment in the complete system after installation should have a unified and unique code value, so as to achieve the security and stability of the system.
- The receiver can only store one code value and cannot be overwritten. Before learning the new code value, it is necessary to clear the original code of the receiver; the remote controller can only save one code value but can be overwritten and can also restore the factory settings. In order to facilitate the later maintenance, the three components that may be involved in the system (including receivers, handheld remote controllers, and panel remote controllers) can realize mutual learning of code values.
- Since the receiver performs code value learning in the power-on state, batch-operation is available (**power-one the all receivers which will be in same zone, and operate the matching/clearing the RF code all of them at the same time**). And in order to avoid confusion in the area, it is recommended that each area has an independent power switch so that the power of other areas can be easily cut off when the code is being operated.

M 1497-4 DIMMER FOR WALLWASHER

User Manual M-OWP 1.1

1. Code pairing operation (means that the receiver will only be controlled by the value code remote controller)

STEP	OPERATION	INSTRUCTIONS
1	Connecting the load to the receiver and power on it.	1. It is necessary to clear the code first, if the receiver was coded before. 2. Batch operation can be performed within the remote control range.
2	Press and hold "ON" on the remote control for 5 seconds, the indicator of the remote control will flash quickly, means it enters the pairing code transmission status.	Will automatically exit code transmission status after 60 seconds, or pressing any key to exit.
3	See the load light flashes 3 times and return to the initial state.	2 modes in total: fade or flash (speed is adjustable, brightness is unadjustable)

2. Code clearing operation (means that the original code value of the receiver will be cleared and returned to the factory state. Then it can be controlled by any compatible remote control, and can learn to a new code)

STEP	OPERATION	INSTRUCTIONS
1	Connecting the load to the receiver and power on it.	1. The clearing operation should be finished within 1 minute after the receiver is powered on. If exceeds the time, can be powered on again. 2. Batch operation can be performed within the remote control range.
2	Press and hold the remote control "Off" for 5 seconds. The indicator of the remote control flashes quickly, means it enters the clearing code transmission status.	1. Will automatically exit code transmission status after 60 seconds, or pressing any key to exit. 2. If the original remote control is lost, the new remote control can be used for clearing operations.
3	See the load light flashes 3 times and return to the initial state.	Clearing coding is finished successfully.

M 1497-4 DIMMER FOR WALLWASHER

User Manual M-OWP 1.1

3. Code learning operation between remote controls (used to unify system code values or copy a new remote controls)

Since each remote control has its own unique code at the time of delivery, when there are multiple remote controls in one system, one of them (for example, remote control A) must be selected as the system code value, and the code value of the rest remote controls (for example, remote control B) should be copied to the same one.

STEP	OPERATION	INSTRUCTIONS
1	A remote control: Press and hold "ON" on the remote control for 5 seconds, the indicator of the remote control will flash quickly, means it enters the pairing code transmission status.	Will automatically exit code transmission status after 60 seconds, or pressing any key to exit.
2	B remote control: long press „mode key“ for 5 seconds, the remote indicator light changes from 100% light to off light, means entering the code value receiving state.	Will automatically exit the code value receiving state after 30 seconds, or exit after learning the code value successfully.
3	See the B remote control indicator light flash 3 times.	Code copying is finished and exit code value receiving status.

4. The remote controller restores the factory setting (it means that the remote control will be restored to the factory's unique code value)

STEP	OPERATION	INSTRUCTIONS
1	Long press „mode“ for 20 seconds.	The remote indicator light dim down and flashes continuously until the 20th second and then back to 100% light. Means this step is finished.
2	Press „Off“ to confirm, the remote indicator light flashes 3 times	Restore factory settings successfully.

Attention!

1. In order to extend the life of the battery, the remote control will enter sleep mode without any operation for 10 seconds, please pressing any key to wake up it before using.
2. The signal of the touch ring/buttons is continuously transmitted for a maximum of 30 seconds, please release it and operate again if times out.