

# WALL WASHER

M 1497-H

**DATA SHEET + ASSEMBLY**

as of June 2023



- Item N°: M 1497-H
- Light Color: 5700 K
- Surface: black matt
- Dimmer: dimmable via external dimmer

## Wallwasher

### M 1497-H | Hanging lamp

#### WALLWASHER AS HANGING LAMP, WITH SUPPLY LINE AND EXTERNAL CONVERTER

The Wallwasher M 1497-H is characterized by full-surface illumination across the entire height. An area of 1000 mm width and 2500 mm height is illuminated uniformly and shadow-free with a light output of 7200 lumens - without any hotspots. 5700 K provide a neutral light color and 32 high-power LEDs with lens optics ensure homogeneous illumination.



- homogenous illumination of 1000 mm width and 2500 mm height
- luminous flux 7200 lm, > Cri 90
- height adjustable by Reutlinger stainless steel suspension set
- 5700 K ensure a neutral light colour
- energy-saving and durable LEDs
- with dimming option

#### TECHNICAL DATA

- Manufacturer: OCTANORM-Vertriebs-GmbH für Bauelemente  
Raiffeisenstraße 39  
70794 Filderstadt  
Germany  
T. +49 711 7700-30  
www.octanorm.com
- Item: M 1497-H Wallwasher hanging lamp
- Description: Hanging lamp with power supply unit incl. DC distributor, 3 m extension cable with DC connector  
dimmable via external dimmer (not included)
- Properties: L 818 × W 150 × H 36 mm
- Dimensions: Aluminium, black matt powder-coated
- Material Housing: Plastic black matt
- Material Lateral Surface:
- Suspension: 3,5 m wire rope with 2 × Reutlinger stainless steel suspension set for height adjustment
- Connection: 230V/50Hz, 5700 K/56 W
- Number of LEDs: 32 pcs
- Housing Protection: IP 20
- Electrical Protection Class: SKII
- Light Color: 5700 K
- Luminous Flux/lm per Watt: 7200 lm/128lm/W
- Efficiency: Energy efficiency class A
- Light Distribution: 100% direct beam, asymmetric wide beam RA > 90

Average rated life of the light source: L80 > 50.000 hours

#### CLEANING AND CARE INSTRUCTIONS

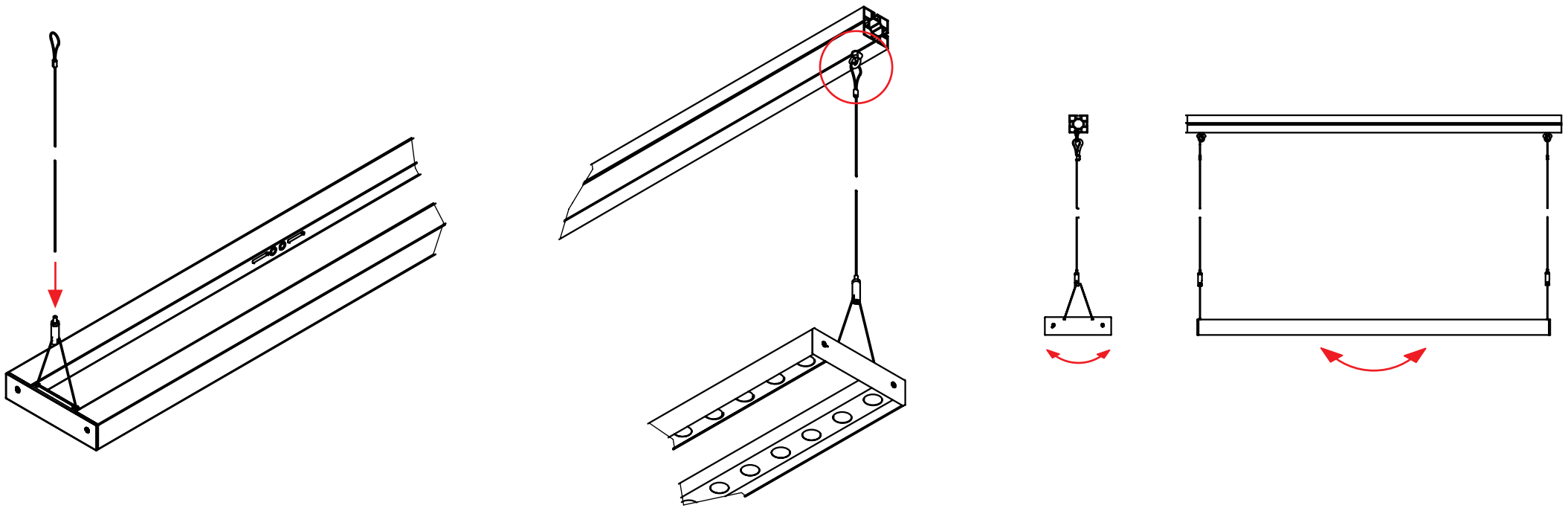
Before cleaning, disconnect the lamp from the power supply. Do not use any corrosive or abrasive cleaning agents, but clean the lamp dry, e.g. with a microfiber cloth.

## Wallwasher

M 1497-H | Hanging lamp

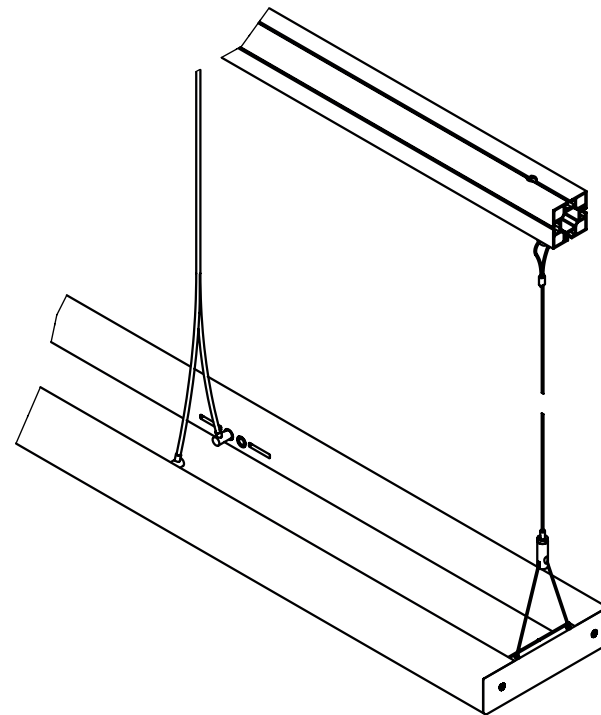
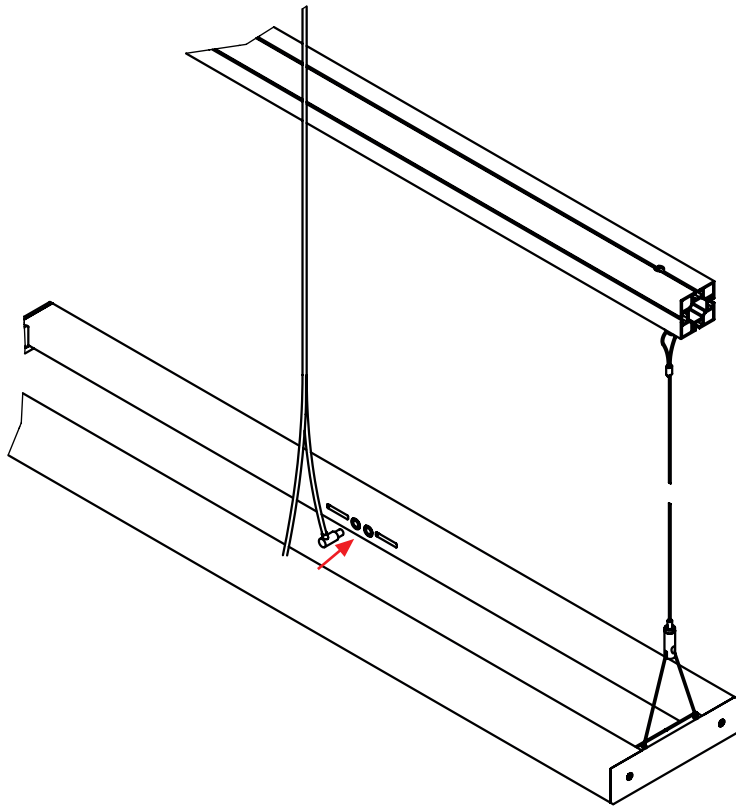
### ASSEMBLY AND SUSPENSION OF THE LAMP

Insert the wire ropes from above into the two wire rope holders until the loose ends emerge again through the side opening. Provide a suitable mounting option on the ceiling for suspension of the lamp. Use the wire rope eyelets to hang the lamp directly from the ceiling or from a beam. Level the lamp by adjusting the length of the wire ropes and/or the wire rope holders.



### CABLING

The two plugs of the DC distribution cable are plugged into one of the two sockets on the lamp heads on each side. The other sockets on the lamp heads remain unused. The DC distributor cable is led upwards and plugged into the cable of the power supply unit.

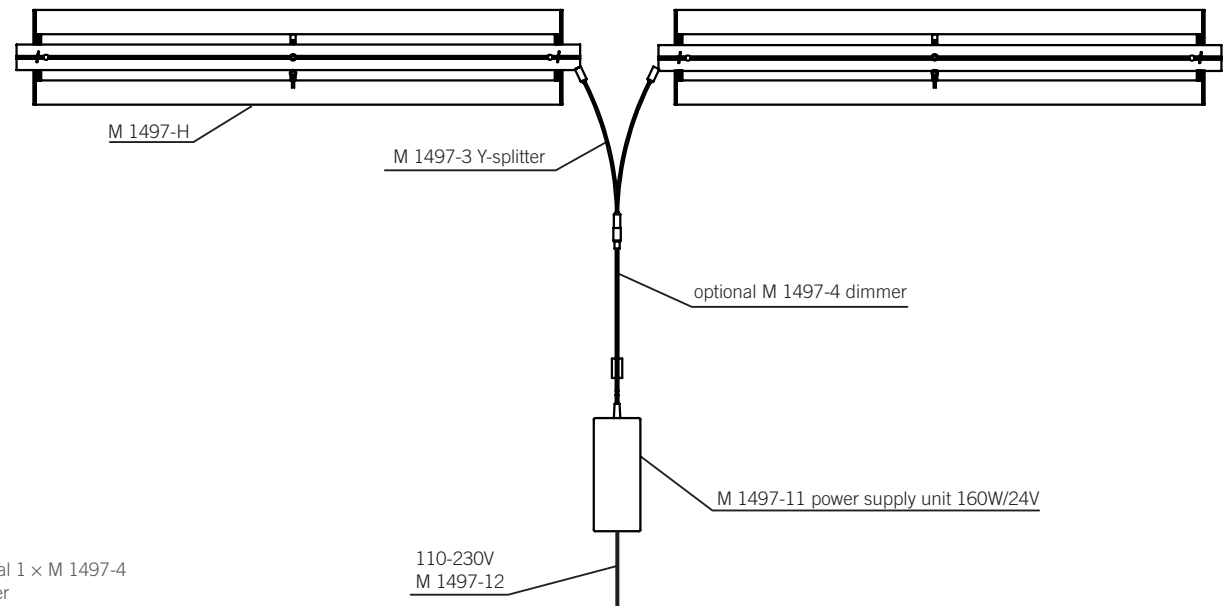


### WIRING

Interconnect a maximum of 2 hanging lamps per 160W power supply unit.

### Danger!

**Never connect more than 2 hanging lamps to one M1497-11 power supply unit.  
Always use a Y-splitter between power supply unit and hanging lamps.**

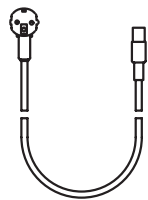


### Used components:

1 × M 1497-3  
Y-splitter



1 × M 1497-12  
power cord



1 × M 1497-11  
power supply unit 160W/24V



optional 1 × M 1497-4  
dimmer

