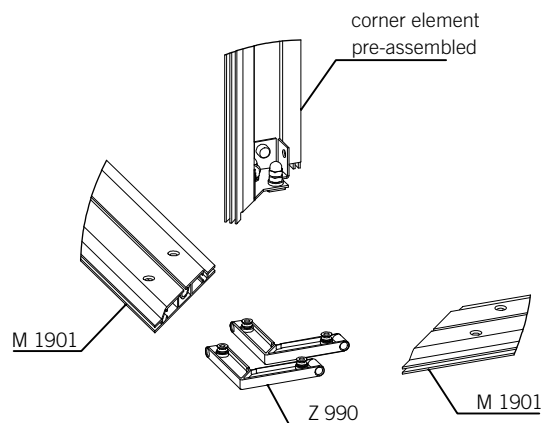
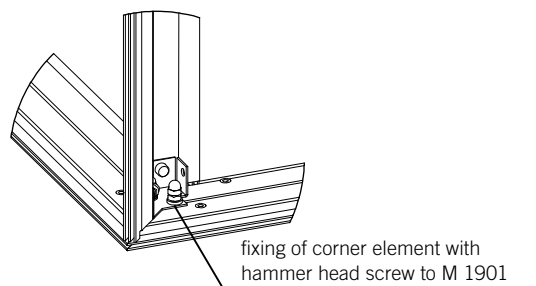


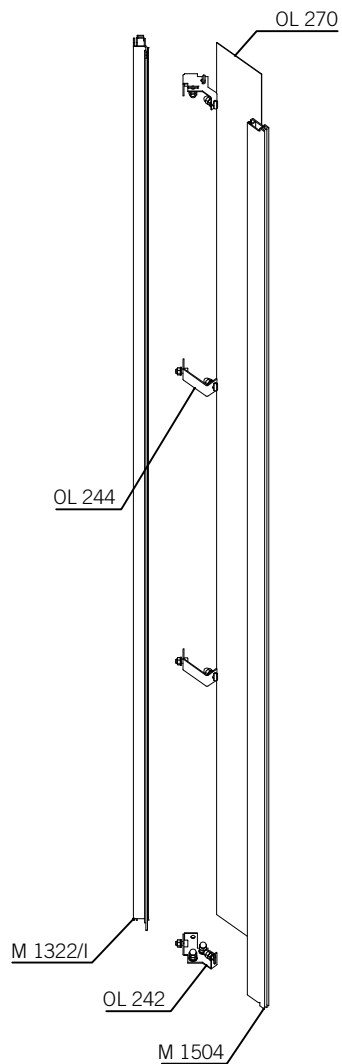
Components



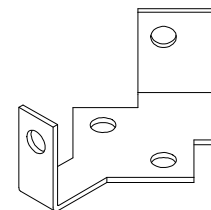
Mounting corner element



Components corner element (pre-assembled)



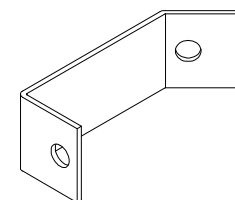
OL 242-0Z
angle support top/bottom



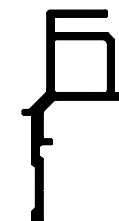
M 1504
corner extrusion outside



OL 244
retainer center



M 1322/I
corner extrusion inside



M 1901
extrusion horizontal



Z 990
internal corner connector for M 1901

