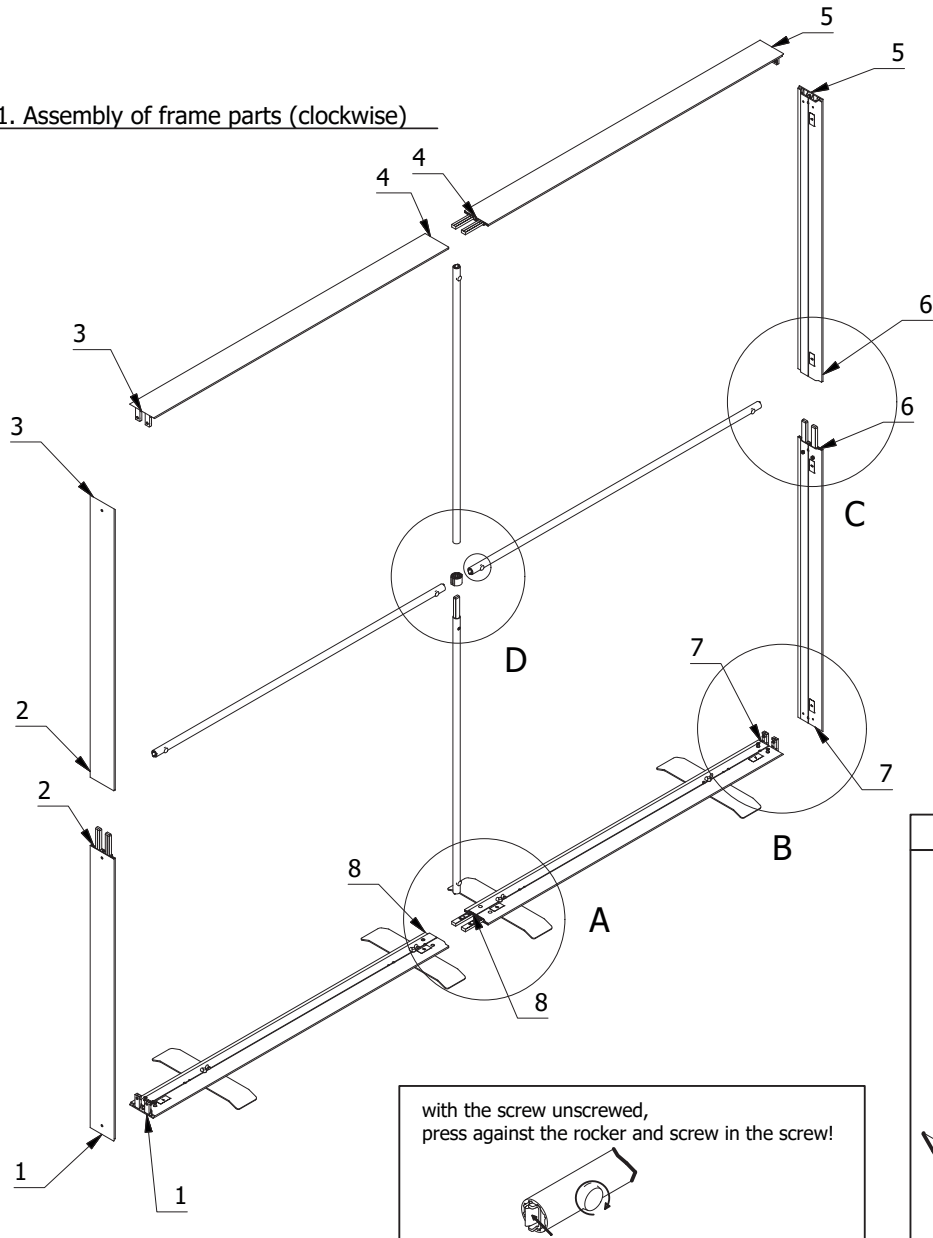
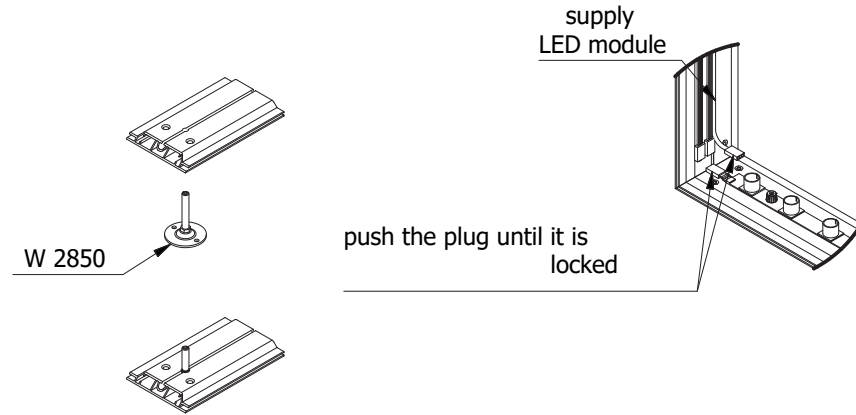


1. Assembly of frame parts (clockwise)



with the screw unscrewed,
press against the rocker and screw in the screw!

2. alternative assembly of adjustable foot W 2850



Perform functional test of LEDs

Attention!

The frame may only be moved when assembled.

