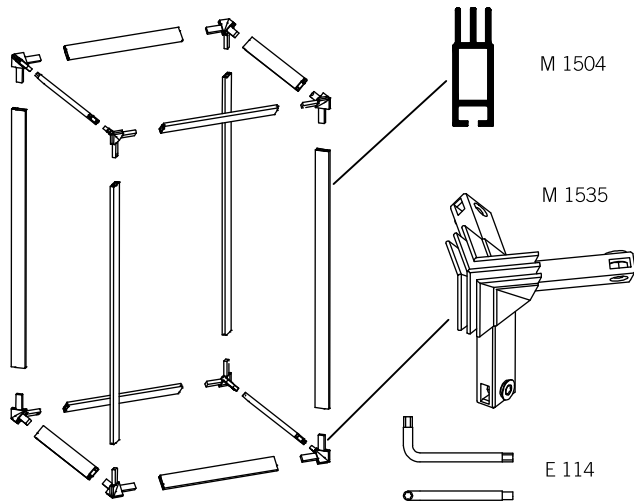
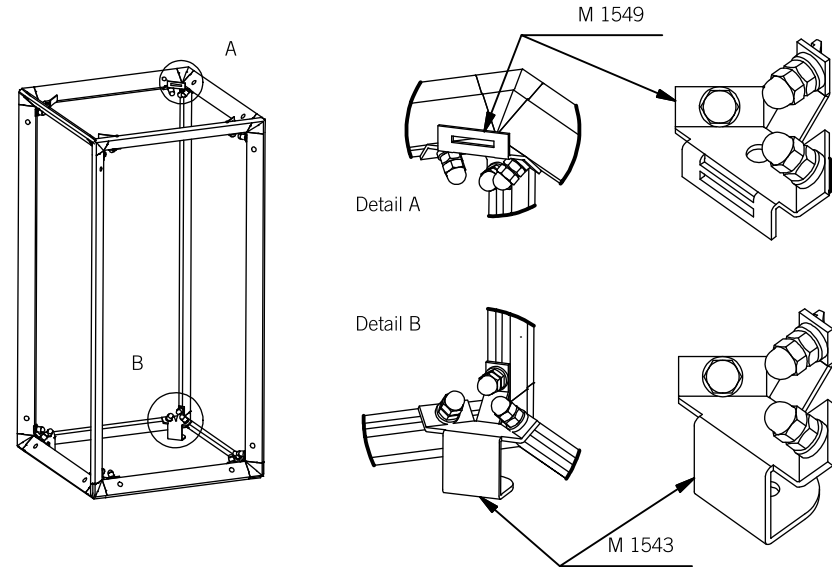


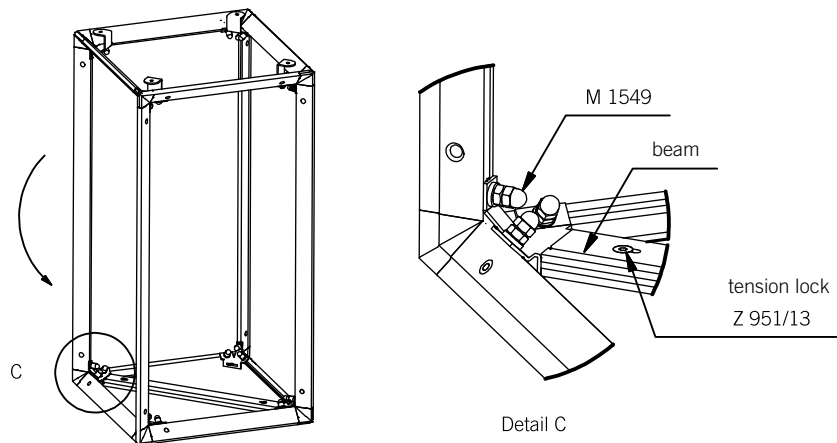
1. assemble cube



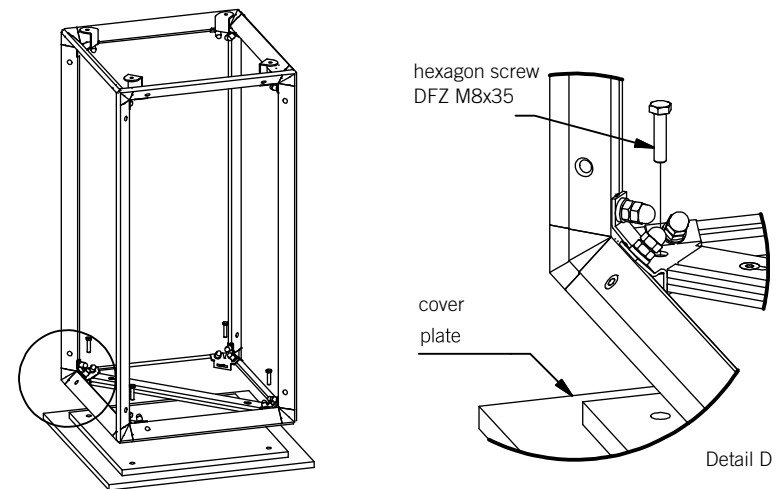
2. assemble angle reinforcement M 1543 and M 1549



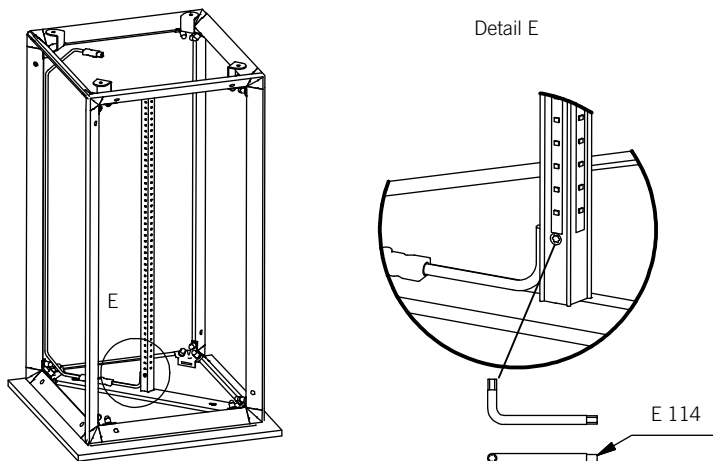
3. turn cube and assemble diagonal beam



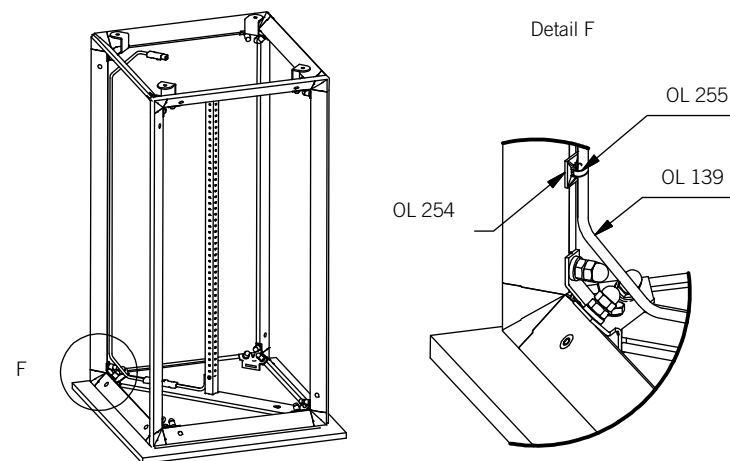
4. assemble cover plate



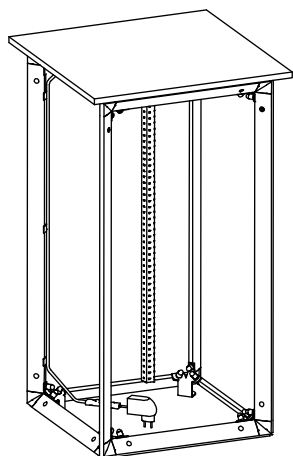
5. assemble lighting element in the center at diagonal beam



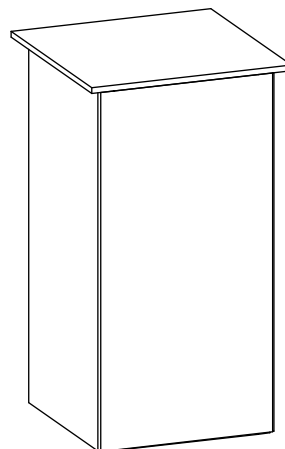
6. vertical installation of fixing set OL 254, fix connecting cable OL 139 with cable ties OL 255



7. turn cube, connect all plugs, plug into the power supply unit, functional test LED



8. install fabric



information for fabric fitting

