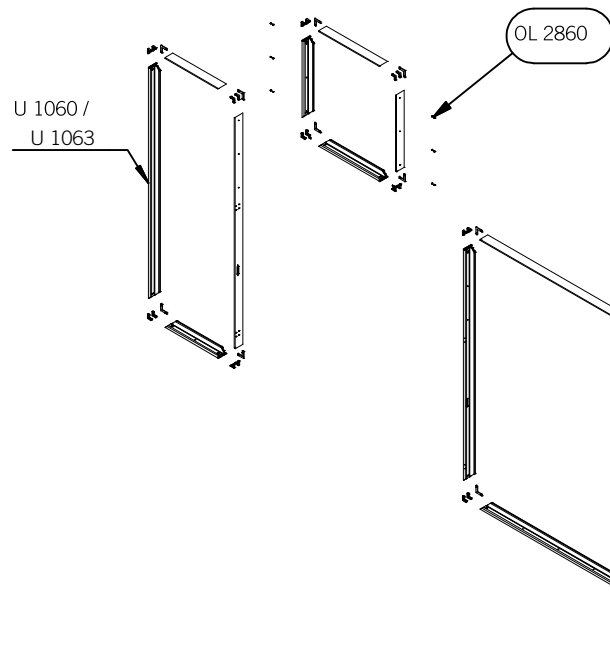
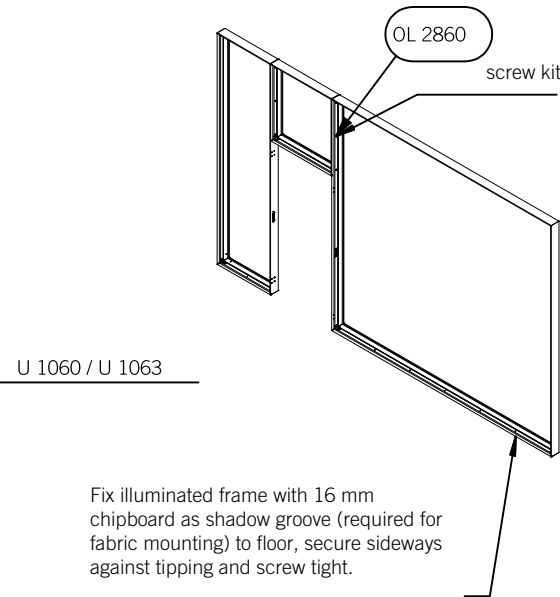


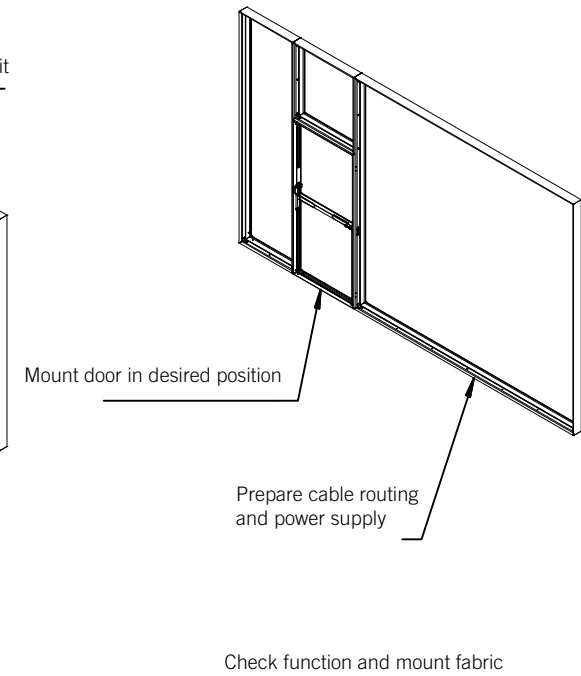
1. Assembly of all frames according to markings



2. Connection of frames

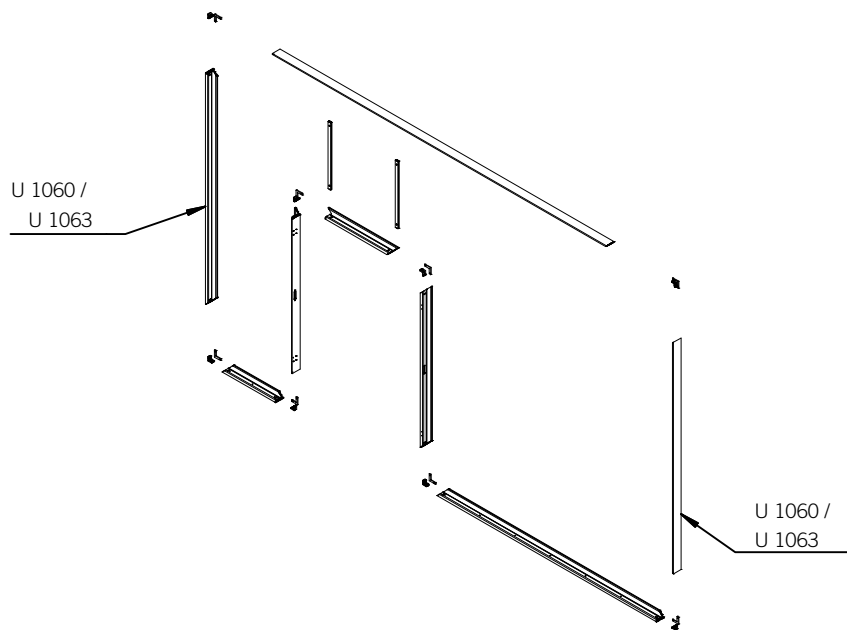


3. Mounting of door

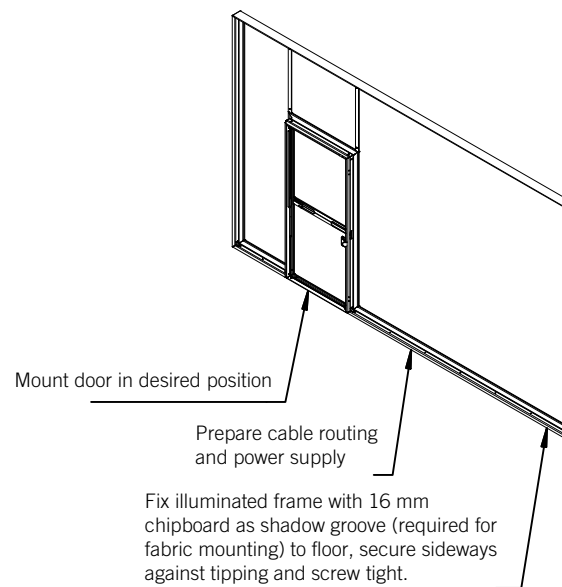


M-OL-4.1 E-000622-0150A-T01 A In Bearbeitung

1. Assembly of all frames according to markings

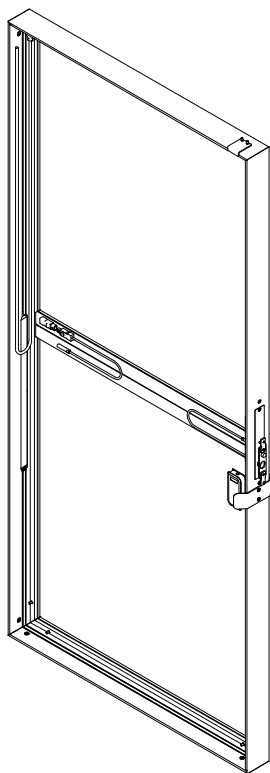


2. Connection of frames



Check function and mount fabric

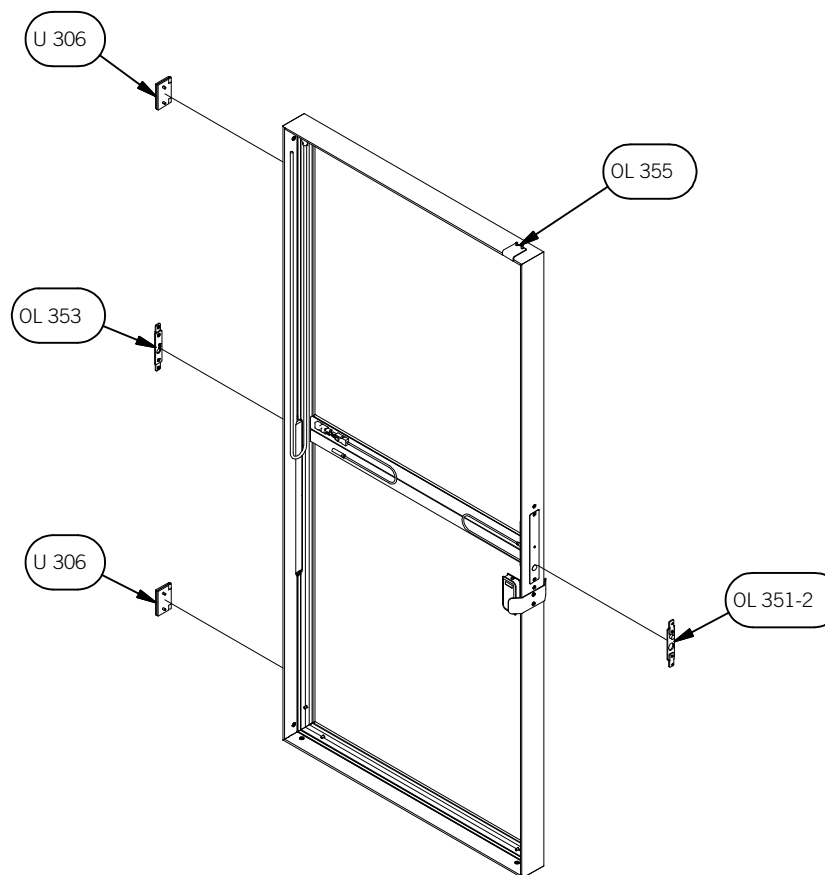
M-OL-4.1 E-000622-0150A-T01 A In Bearbeitung



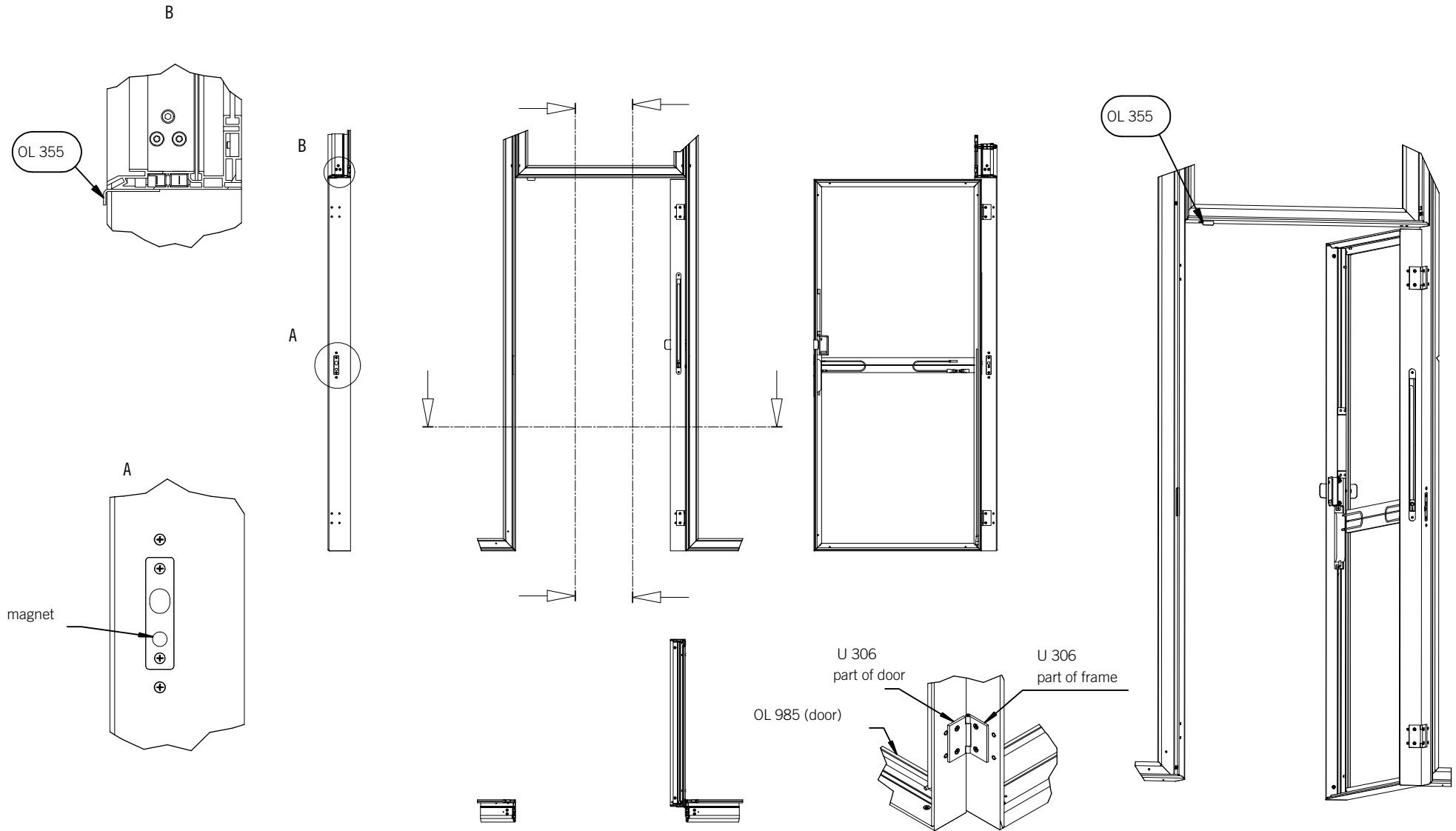
The door can be mounted in different positions:

- DIN left outward opening
- DIN left inward opening
- DIN right outward opening
- DIN right inward opening

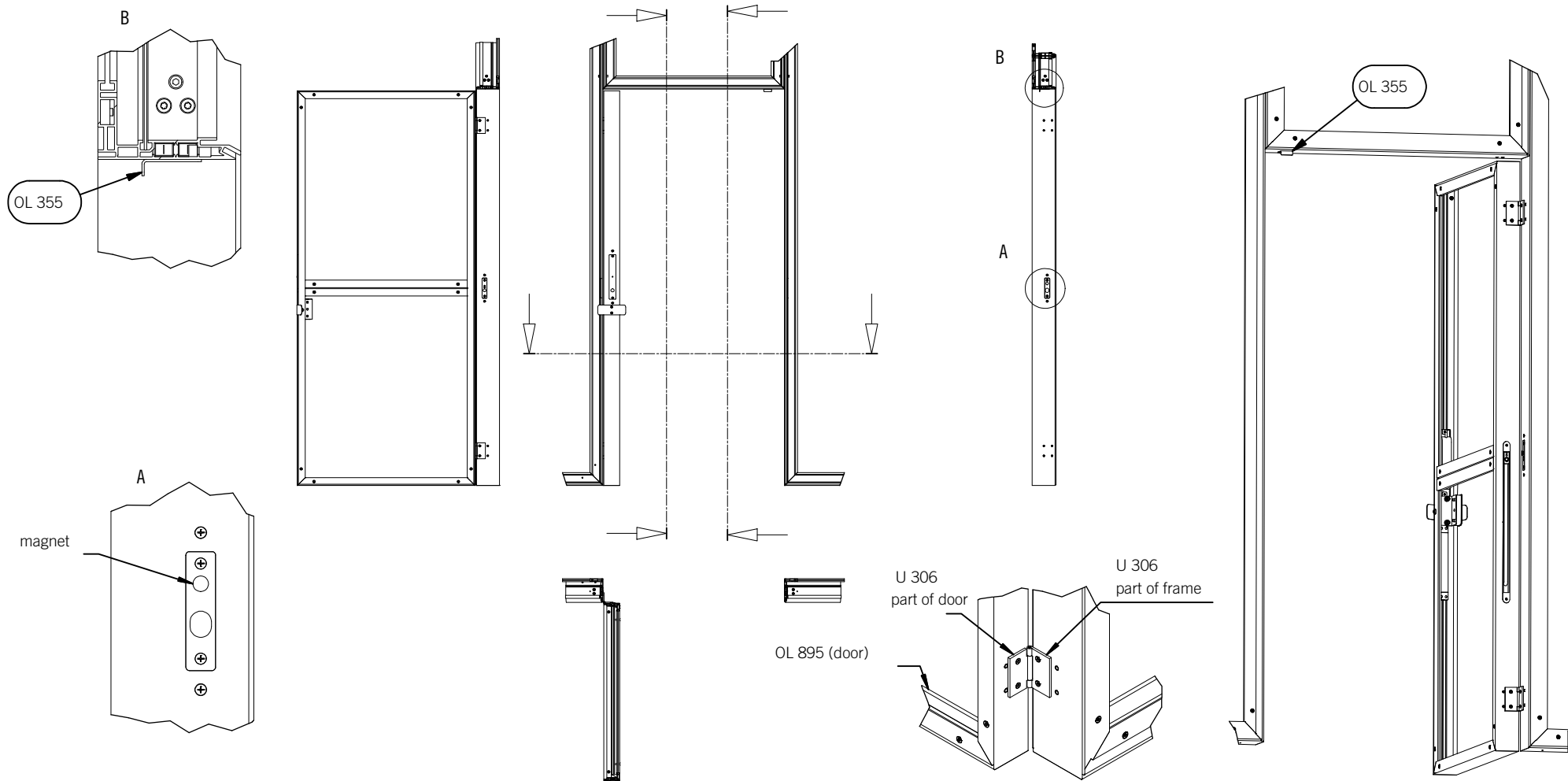
Door hinges and striker plates must be mounted accordingly



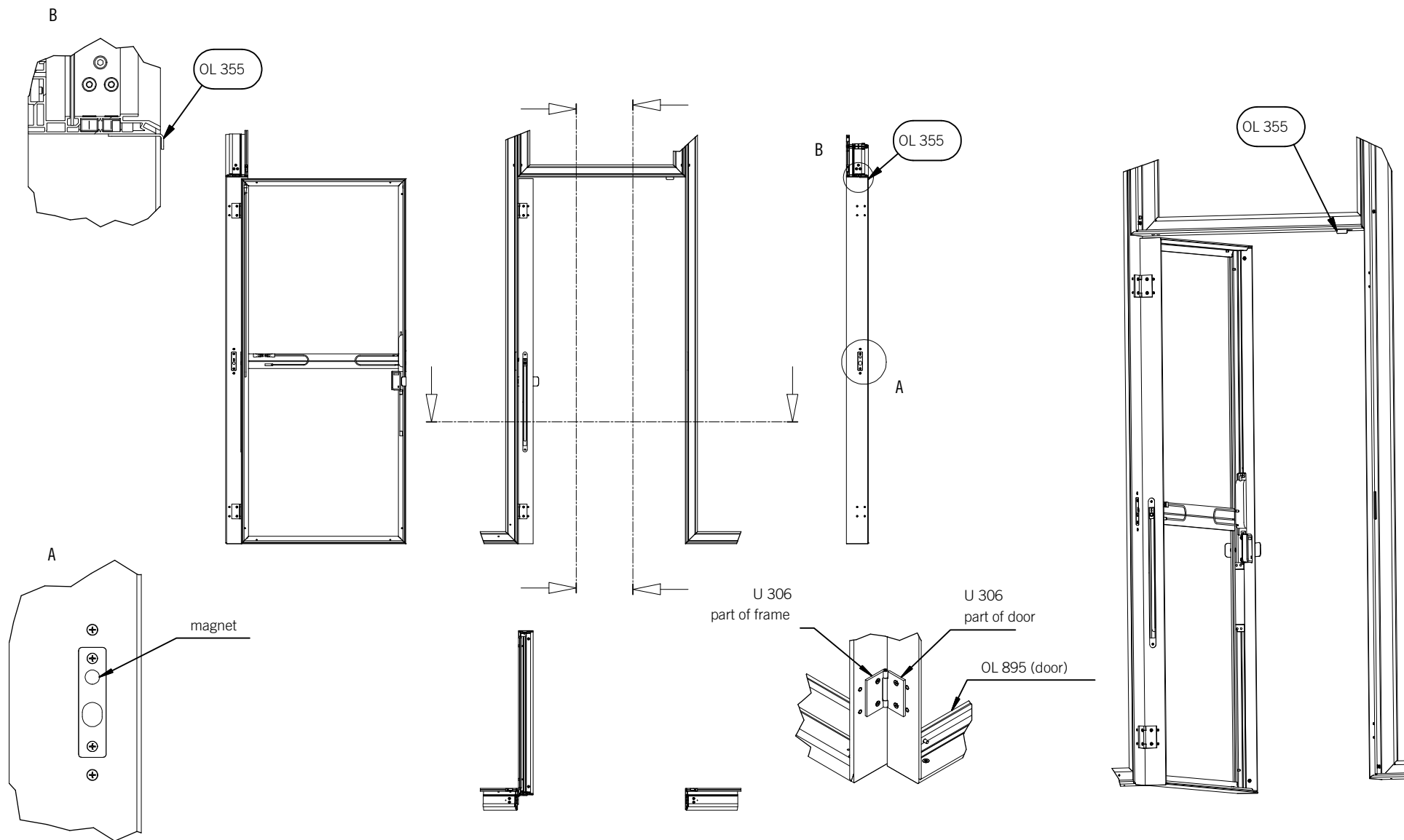
In each case, only unscrew the individual components (U 306, OL 353, OL 355 and OL 351-2) from the door frame and mount to match the desired function.



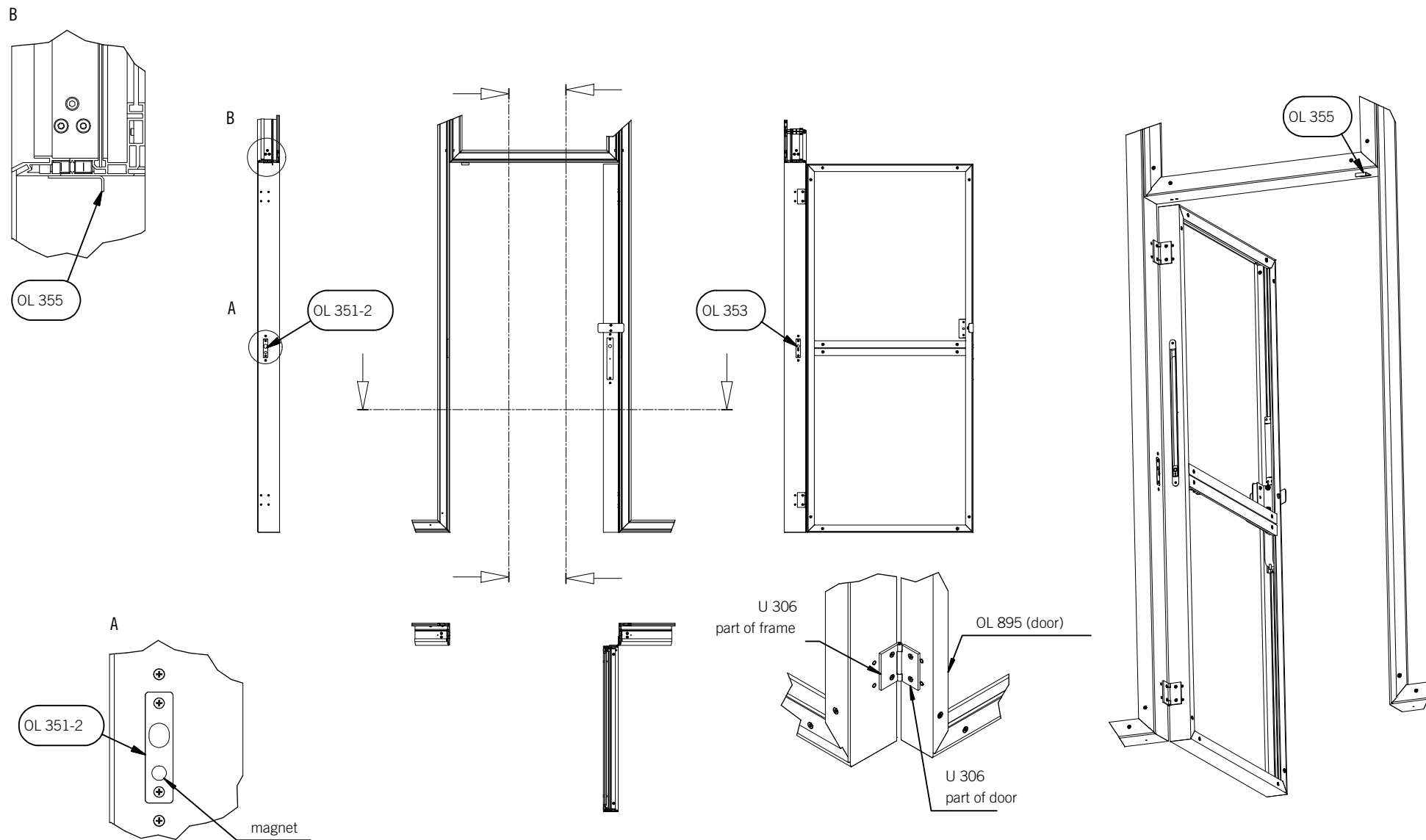
M-OL-4.1 E-000622-0150A-T01 A In Bearbeitung



M-OL-4.1 E-000622-0150A-T01 A In Bearbeitung



M-OL-4.1 E-000622-0150A-T01 A In Bearbeitung



M-OL-4.1 E-000622-0150A-T01 A In Bearbeitung