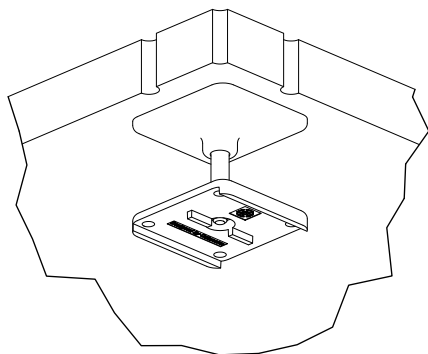
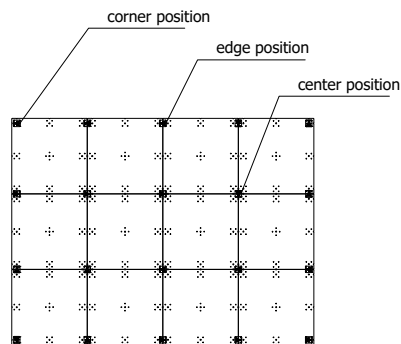


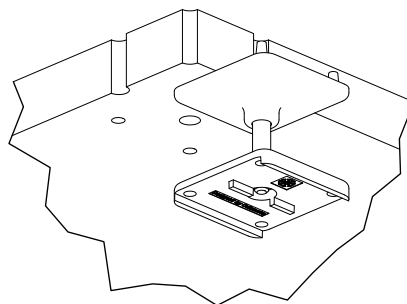
### Corner Position



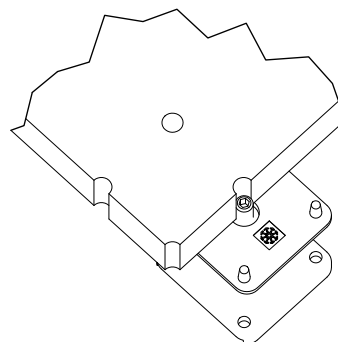
On corner panels, the adjustable feet are placed without lateral overlap on either side. Only one panel can be placed onto one foot.



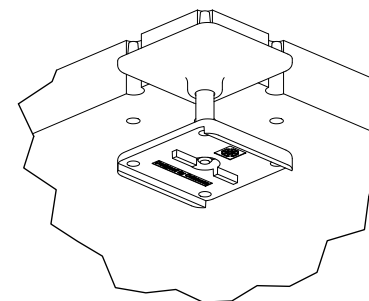
### Edge Position



On edge panels, the adjustable feet are placed with a lateral overlap on one side. Two panels can be placed onto one foot.



### Center Position



On center panels, the adjustable feet are placed with an overlap on both sides. Four panels can be placed onto one foot.

