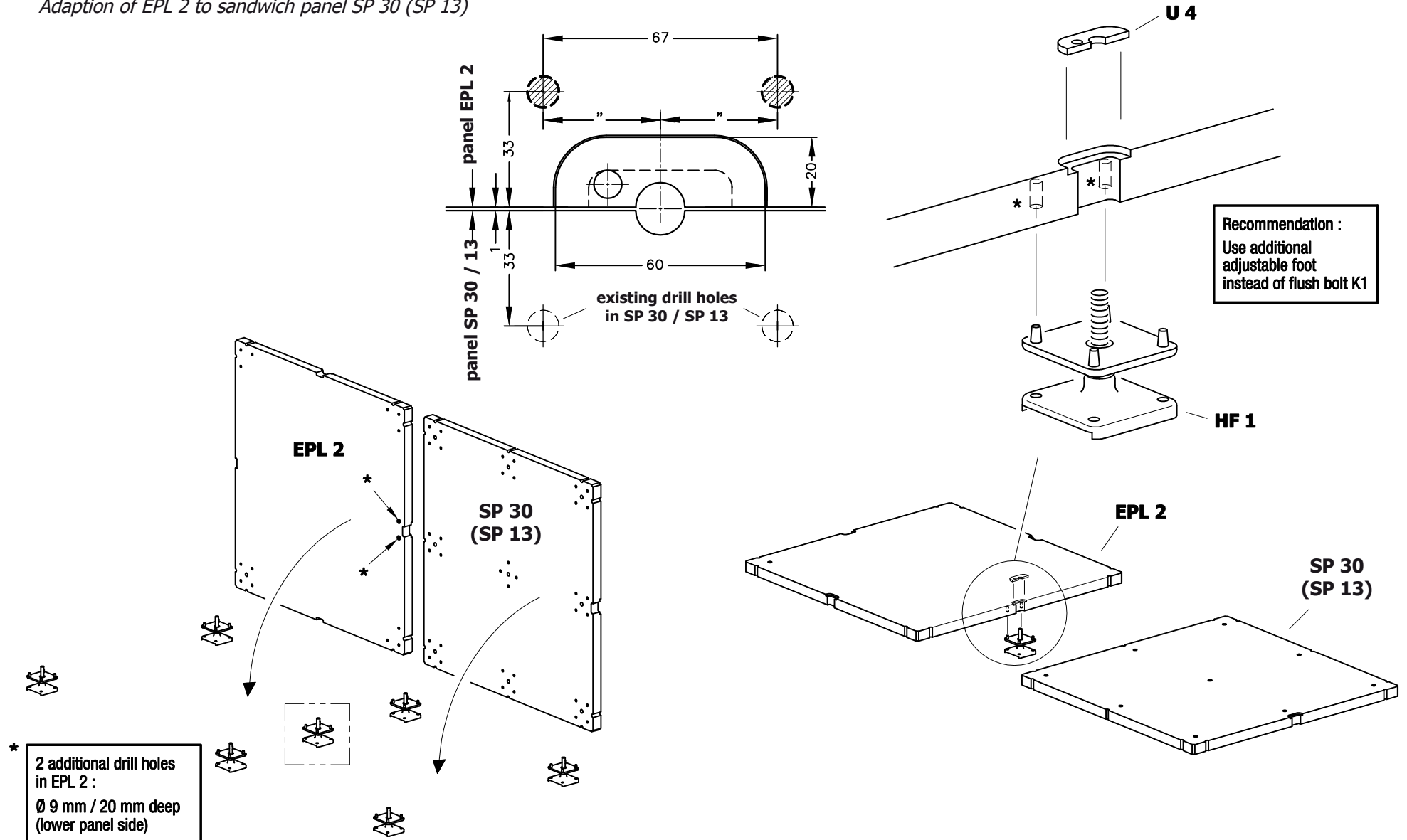


**. Floor Systems**

*Adaption of EPL 2 to sandwich panel SP 30 (SP 13)*



TIDB-5.0 EW 3270.00 - 03.03.09/HB - 11/2009 shift