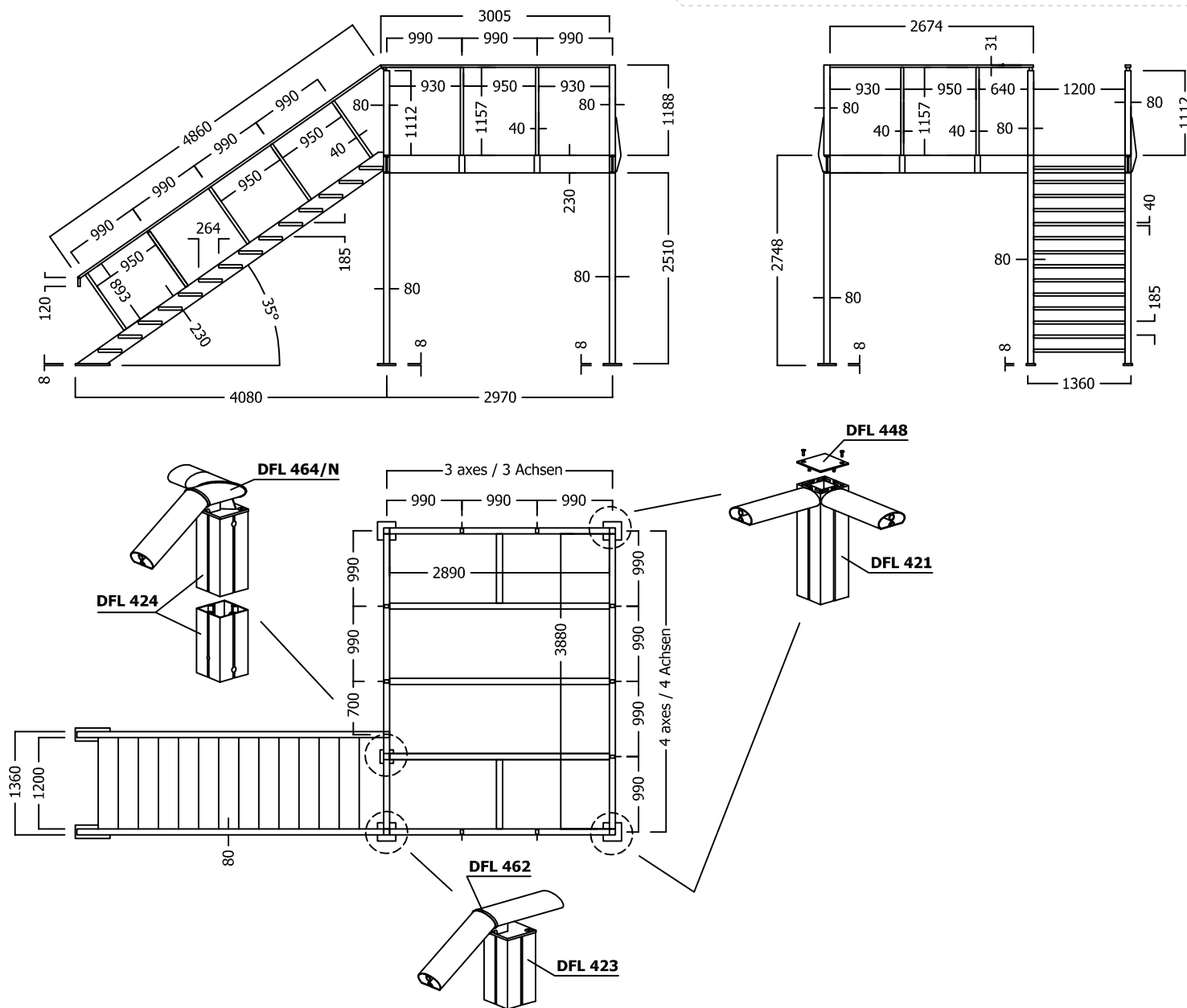


# octamax Planning Bases "Standard Measurements"

TI-DFL-1.1

## technical information



TIDFL-1.1 EW 3204.00 - 29.09.08/MG, geä. 11.04.12/ED - 01/2013 shift