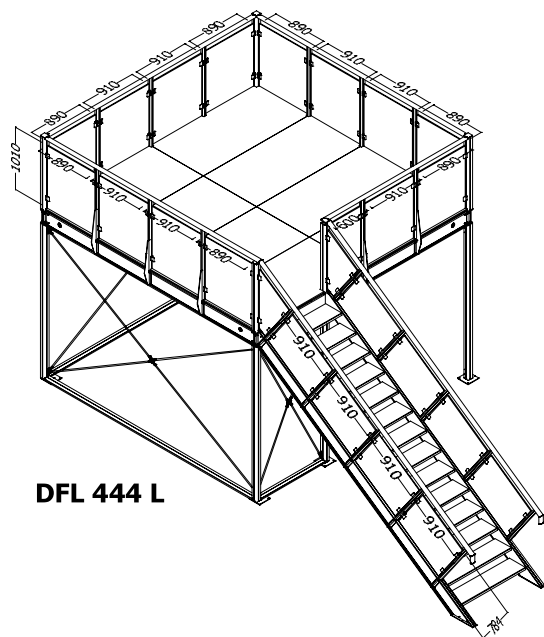
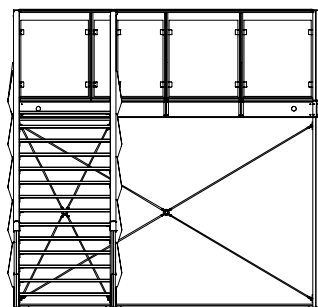


Vertical glazing, anti-fall guard



DFL 444 L

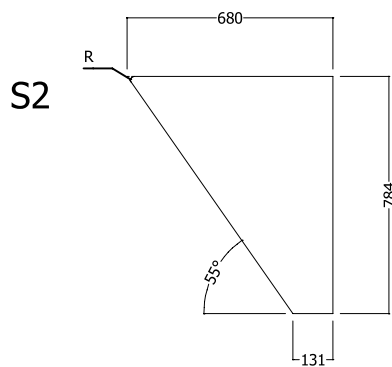


parts list DFL 444 L				
quantity	article N°	description	length	width
7		A	890 mm	1010 mm
7		B	910 mm	1010 mm
1		C	600 mm	1010 mm
8		S1	910 mm	784 mm
2		S2	680 mm	784 mm
100	M 1492	glass holder*		

*for panel thickness 13,5mm

Note:

The indicated glass panel size considers an air gap of 3 mm left and right!



S2

