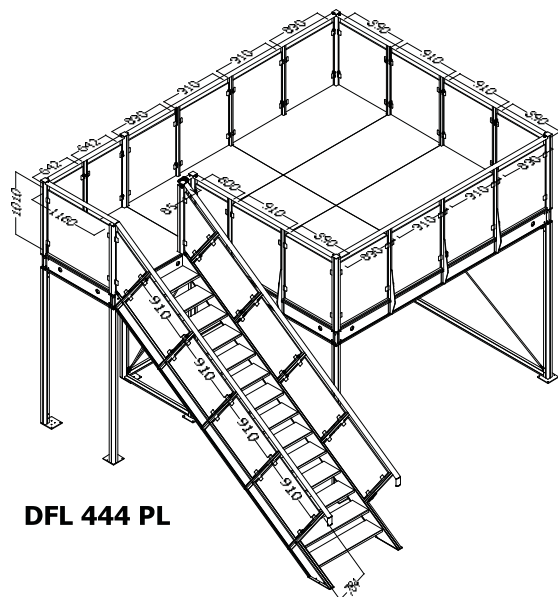
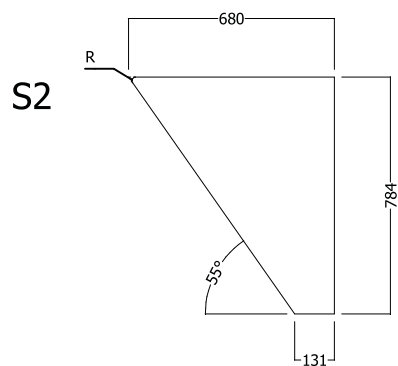


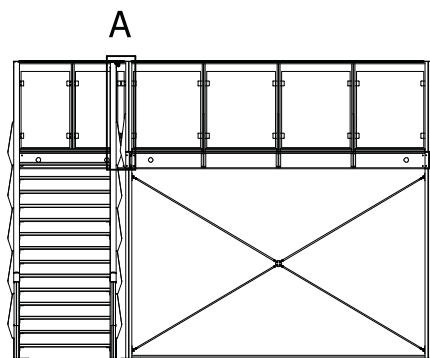
Vertical glazing, anti-fall guard



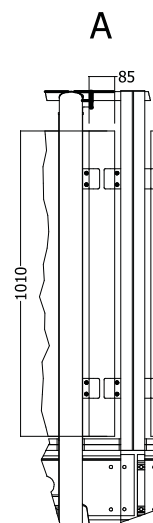
DFL 444 PL



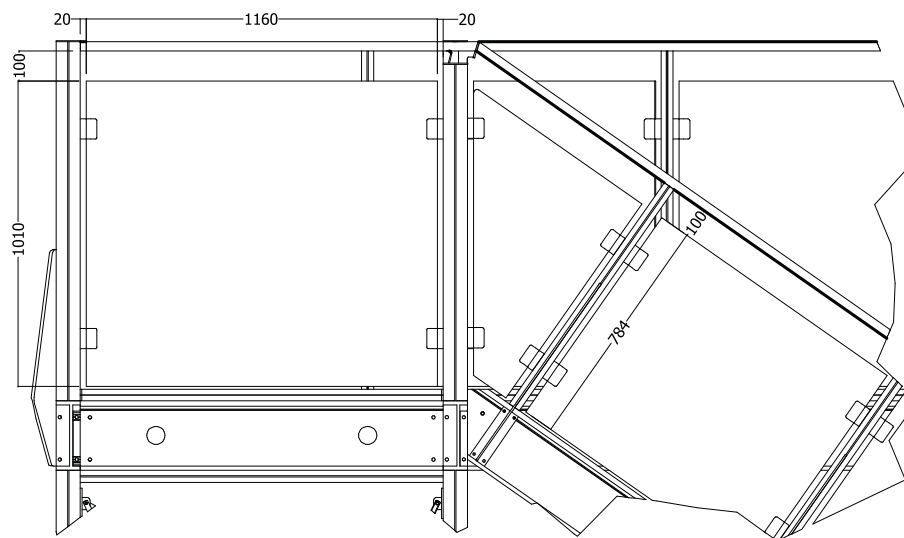
S2



A



A



parts list DFL 444 PL				
quantity	article N°	description	length	width
7		A	890 mm	1010 mm
7		B	910 mm	1010 mm
1		C	600 mm	1010 mm
2		D	642 mm	1010 mm
1		E	1160 mm	1010 mm
1		F	85 mm	1010 mm
8		S1	910 mm	784 mm
2		S2	680 mm	784 mm
116	M 1492	glass holder*		

\*for panel thickness 13,5mm

Note:  
The indicated glass panel size considers an air gap of 3 mm left and right!

