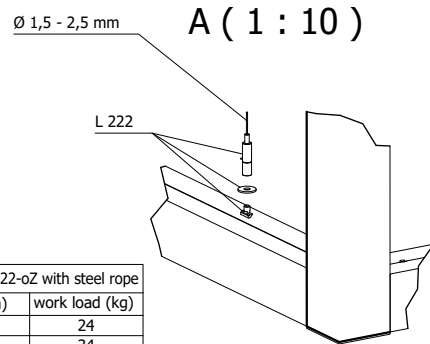
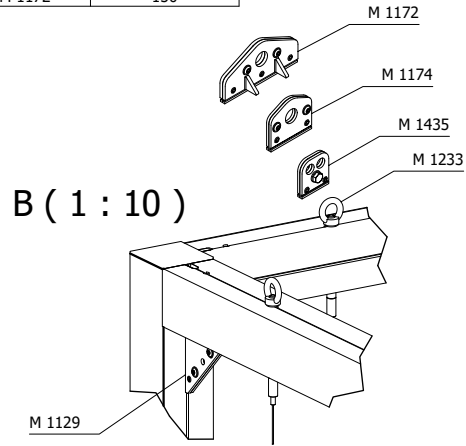


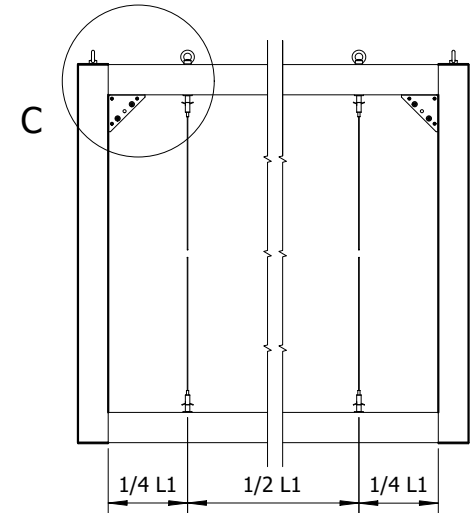
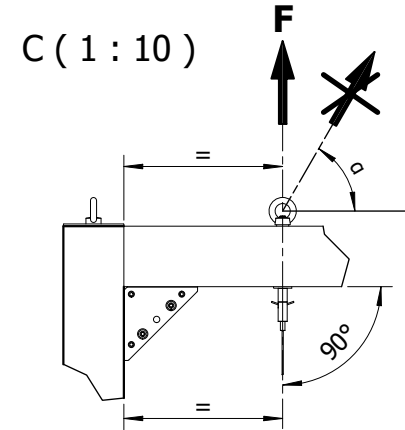
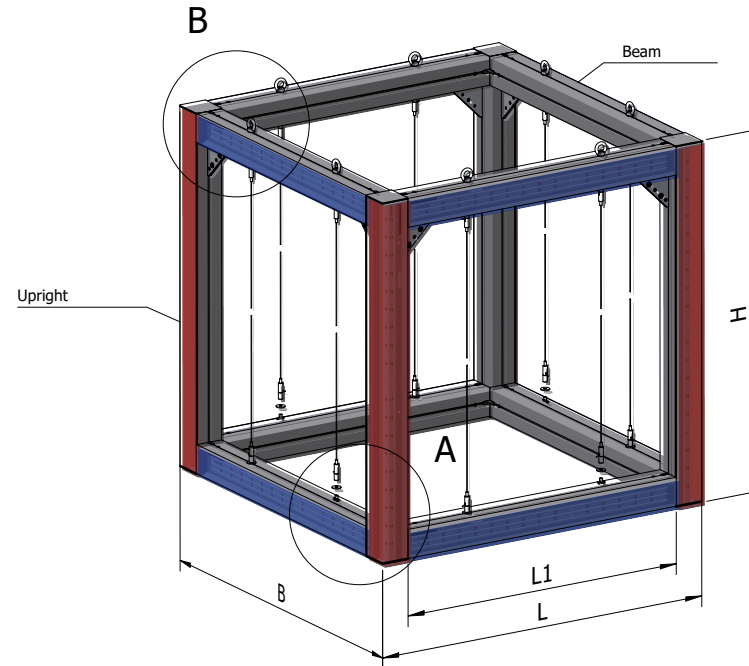
max. load capacity per rope suspension	
rope suspension	load capacity (kg)
M 1233	35
M 1435	70
M 1174	100
M 1172	150



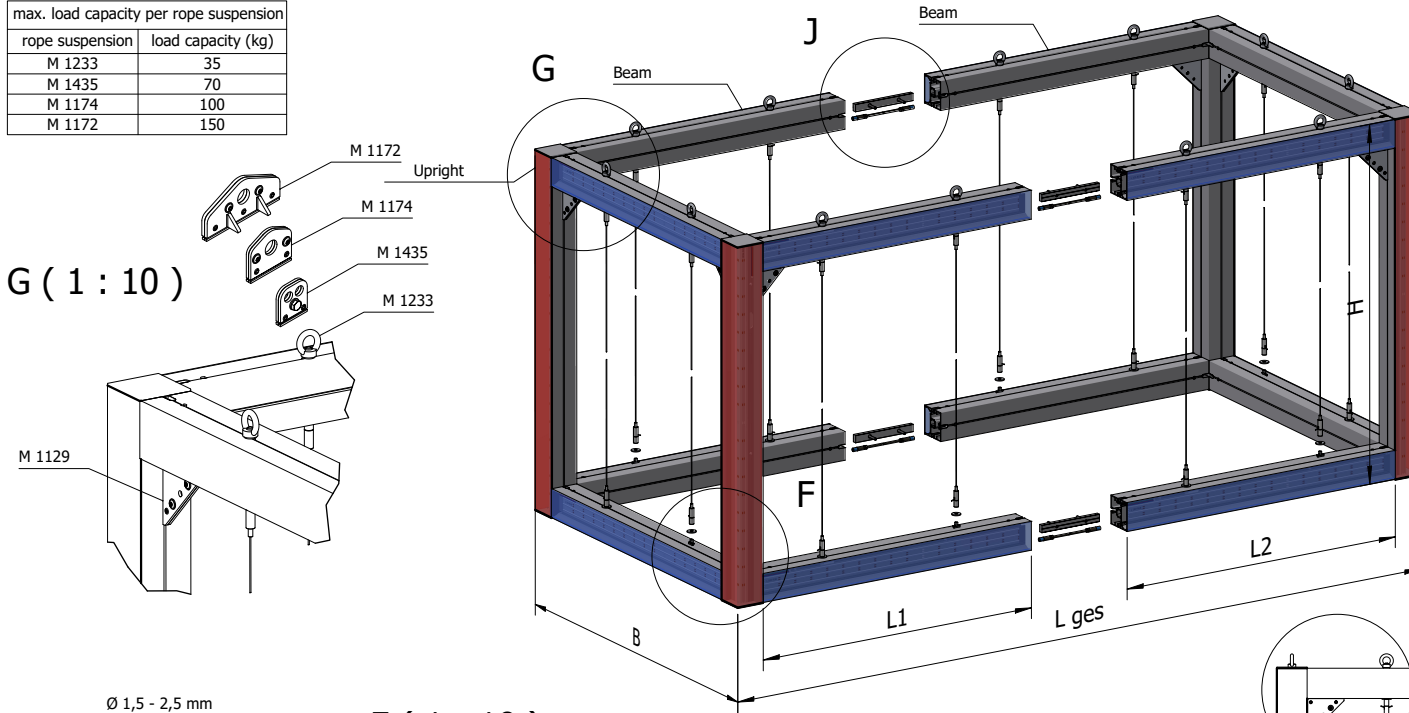
max. work load OL 222-oZ with steel rope	
rope diameter (mm)	work load (kg)
1,5	24
1,8	34
2,0	48
2,5	68

Steel rope galvanized 7x7,  
Spec. strength = min. 2300 N/mm<sup>2</sup>  
(service coefficient = 5)

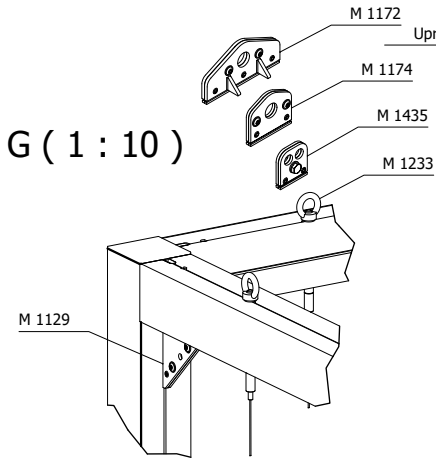
Observe local regulations for  
rope suspended structures  
over people!



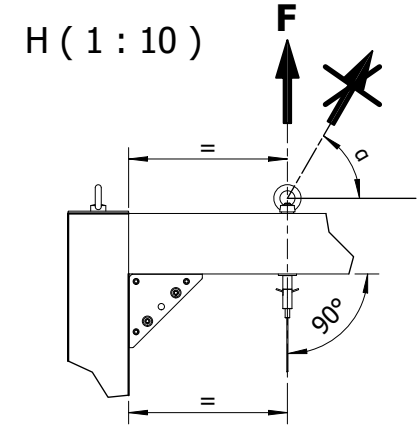
max. load capacity per rope suspension	
rope suspension	load capacity (kg)
M 1233	35
M 1435	70
M 1174	100
M 1172	150



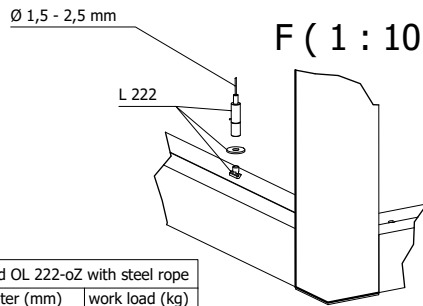
G ( 1 : 10 )



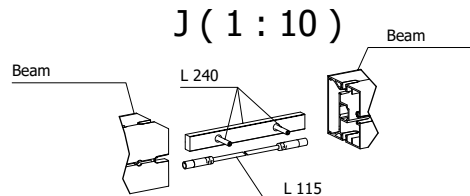
H ( 1 : 10 )



F ( 1 : 10 )



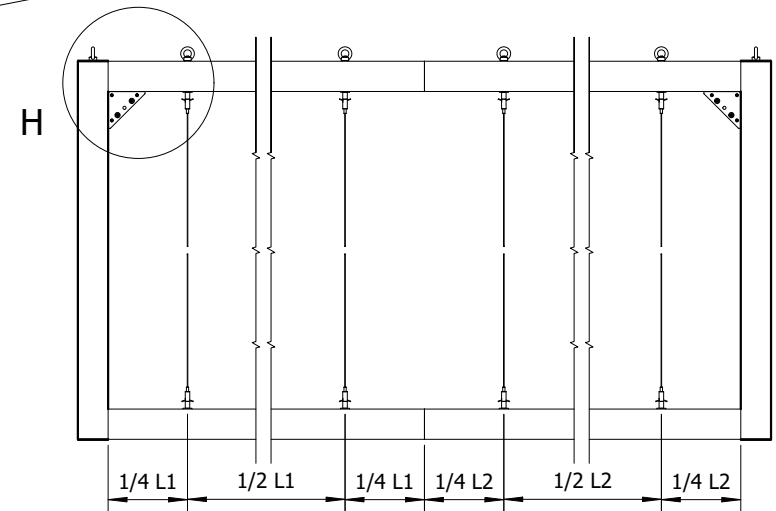
J ( 1 : 10 )



work load OL 222-oZ with steel rope	
rope diameter (mm)	work load (kg)
1,5	24
1,8	34
2,0	48
2,5	68

Steel rope galvanized 7x7,  
Spec. strength = min. 2300 N/mm<sup>2</sup>  
(service coefficient = 5)

Observe local regulations for  
rope suspended structures  
over people!



TI-L-1.0 E-0006558-0011A-T02 B Freigegeben 28.03.2025 Holger Seifried