

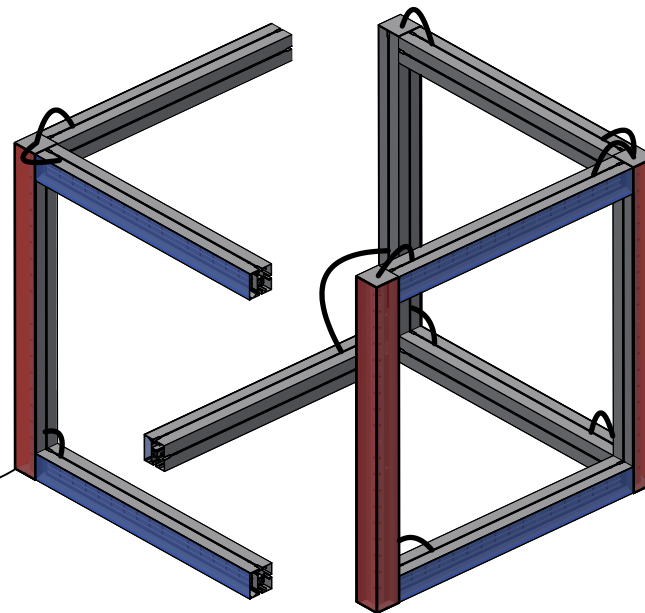
In the case of two and more power feeds, it is mandatory to ensure that the circuits are separated from each other and are not electrically connected to each other. Electrically connecting multiple circuits will result in power failures and will damage the electrical components of the octalux extrusions.

A maximum of 10 A (=10 power supply units = 10 octalux extrusions) may be fed in per power supply cable. If more than 10 extrusions are used, a second power supply is required.

Power is always supplied to the uprights, as they have two sockets on both sides. Only one additional beam can be powered on the upright side where electricity is fed in. The second beam needs to be powered through another upright.

4 octalux extrusions on one power supply cable.
A maximum of 10 octalux extrusions are allowed per power supply cable.

230V
50/60 Hz



8 octalux extrusions on one power supply cable. A maximum of 10 octalux extrusions are allowed per power supply cable.

230V
50/60 Hz

The two octalux structures must only be connected mechanically,
not electrically!