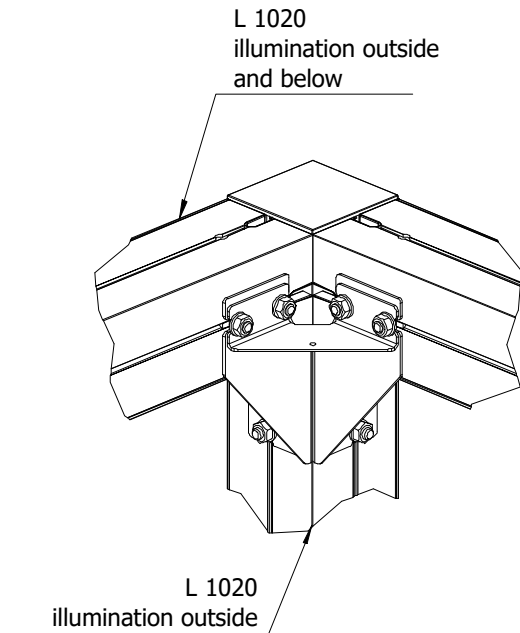
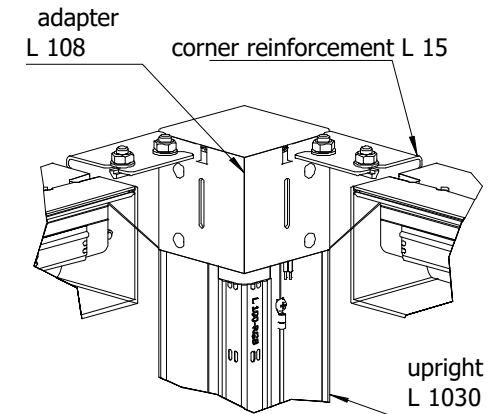
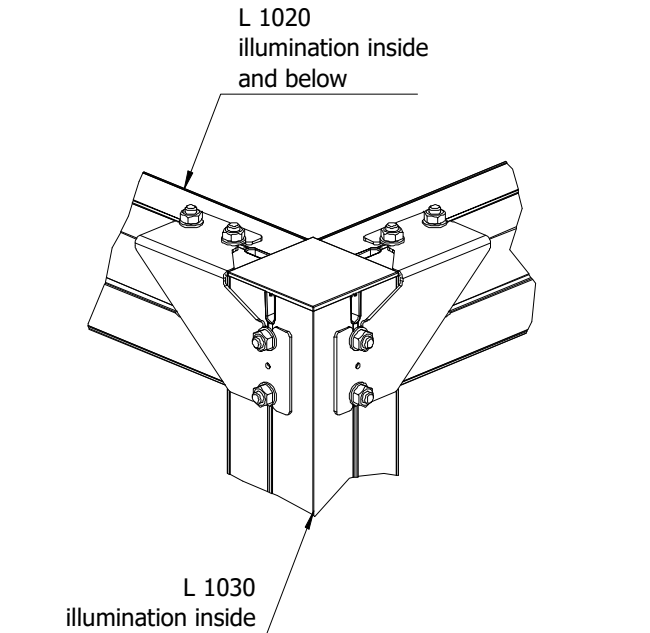


Mounting Option 1

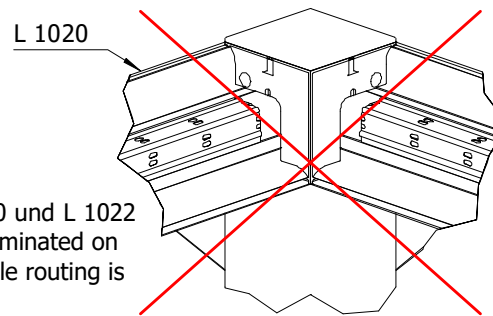


Mounting Option 2



Beams in combination with uprights with inside illumination are only possible with L 1030 or L 1032 (uprights with adapter L 108 or L 109)

Reason: Beams cannot be mounted on the illuminated side!



Beams L 1020 und L 1022 cannot be illuminated on top as no cable routing is possible!