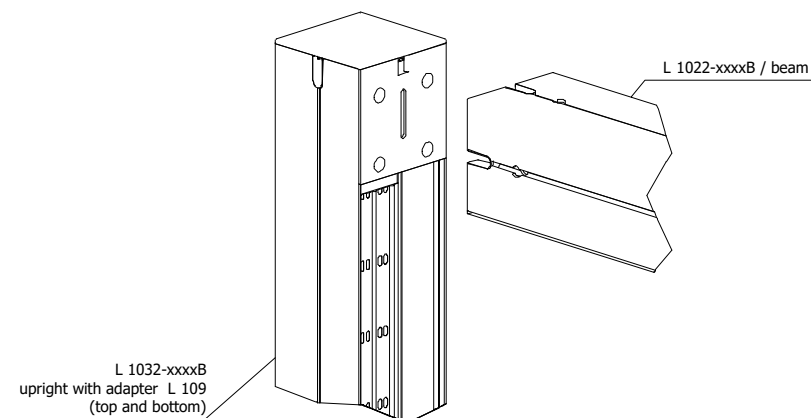
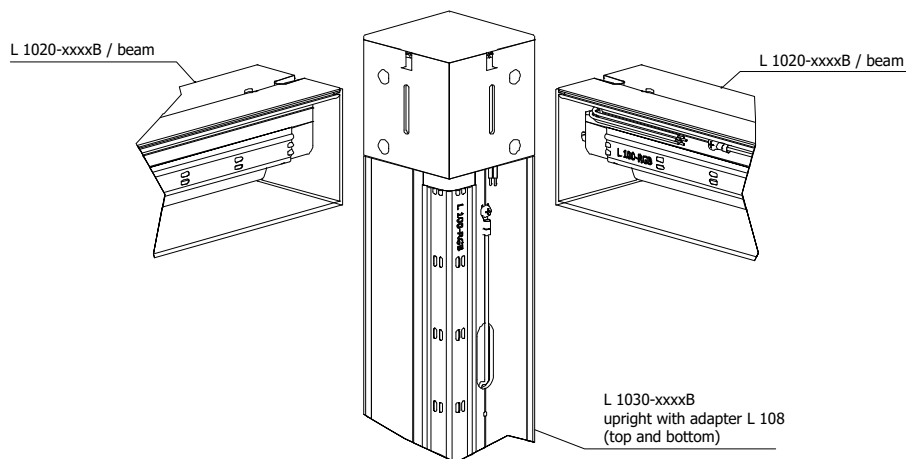


Cube with illuminated extrusions on the inside

Frame with illuminated extrusions on the inside



**Please note:**

Frames L 1020-xxxxB and L 1022-xxxxB come with pre-installed tension locks Z 961-8. Tension locks can be installed in different directions. If the installation direction does not match the use or lighting direction of the frame, remove the corresponding tension lock and reinstall in the desired direction.

1. Press down the eccentric knob and at the same time
2. pull out the tension lock.
3. Turn the tension lock and
4. insert by pressing and engaging the eccentric knob

