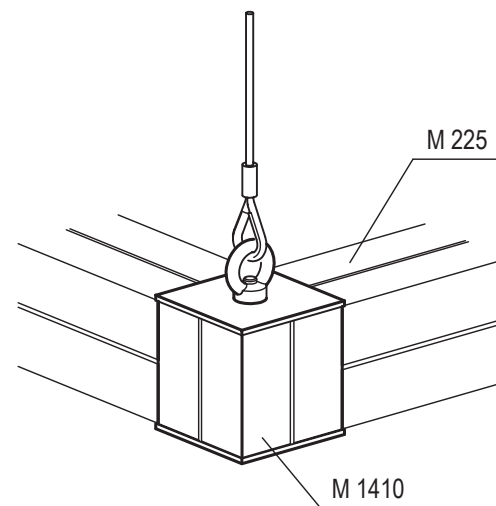
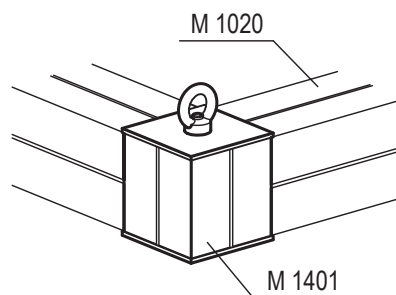
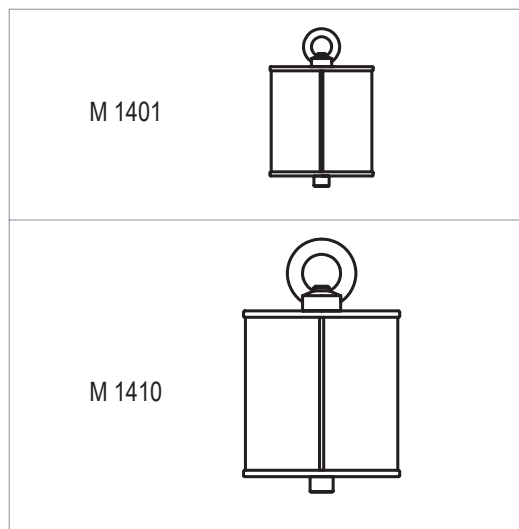


Examples for fixing of wire

TI-M-23.2

➤ technical information



TI M-23.2 EW 2524.2 06.10.04/WG geä. 26.10.04/HB neues Layout 09/2005 shift