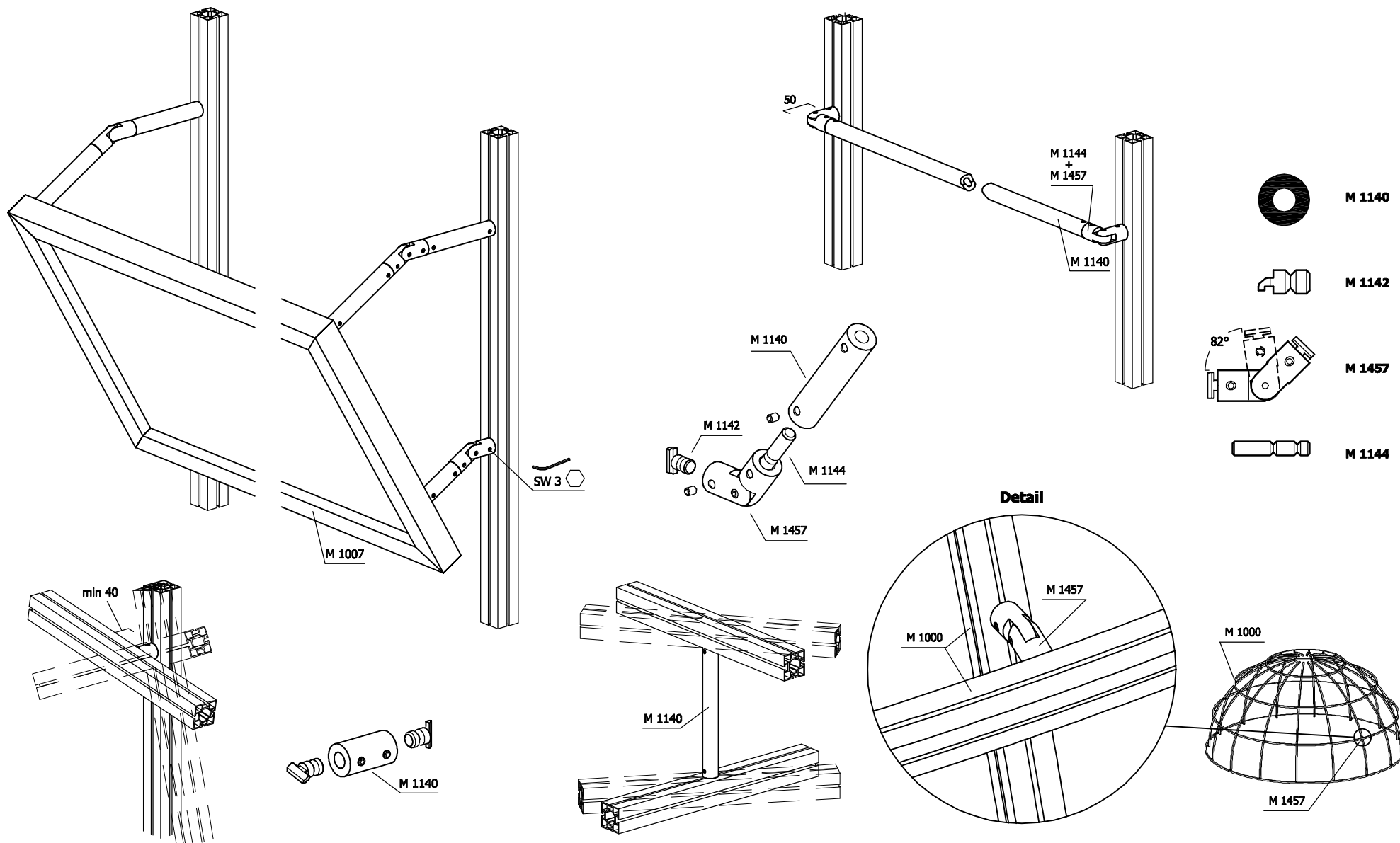


Examples for application of round tube M 1140 and hinge set M 1457

TI-M-26.0

technical information



TI M-26.0 EW 2260.30/EW 2504/EW 2554.1 26.11.2004/ED neues Layout 09/2005 shift