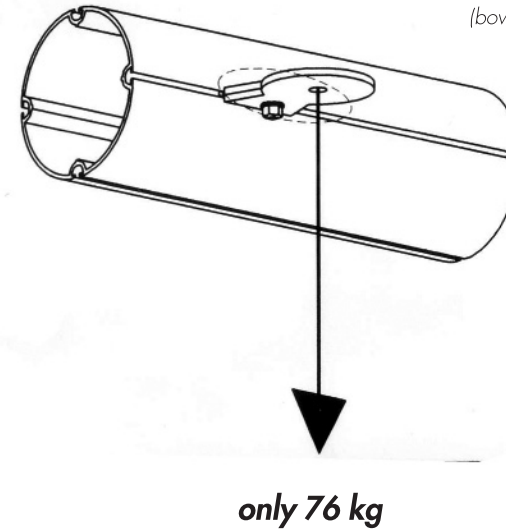
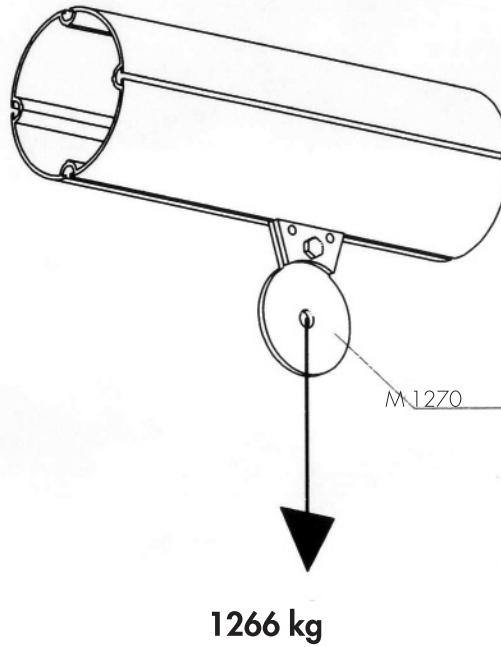
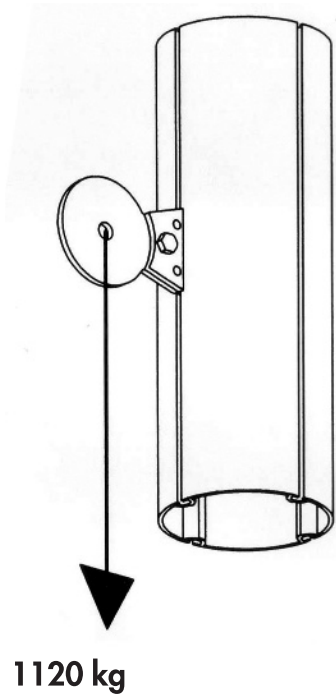


Maximum load for hinged flange part



hinged flange part:
hinged plate
 $W_y = 0.16667 \text{ cm}^3$
from cross section $b \times h$
 $= 4.0 \times 0.5 \text{ cm}$
(bowing)

Attention:
Stand designs with high load values to be checked by the static engineer

**but additional
extrem torsion
(twisting) of the
aluminium profile**