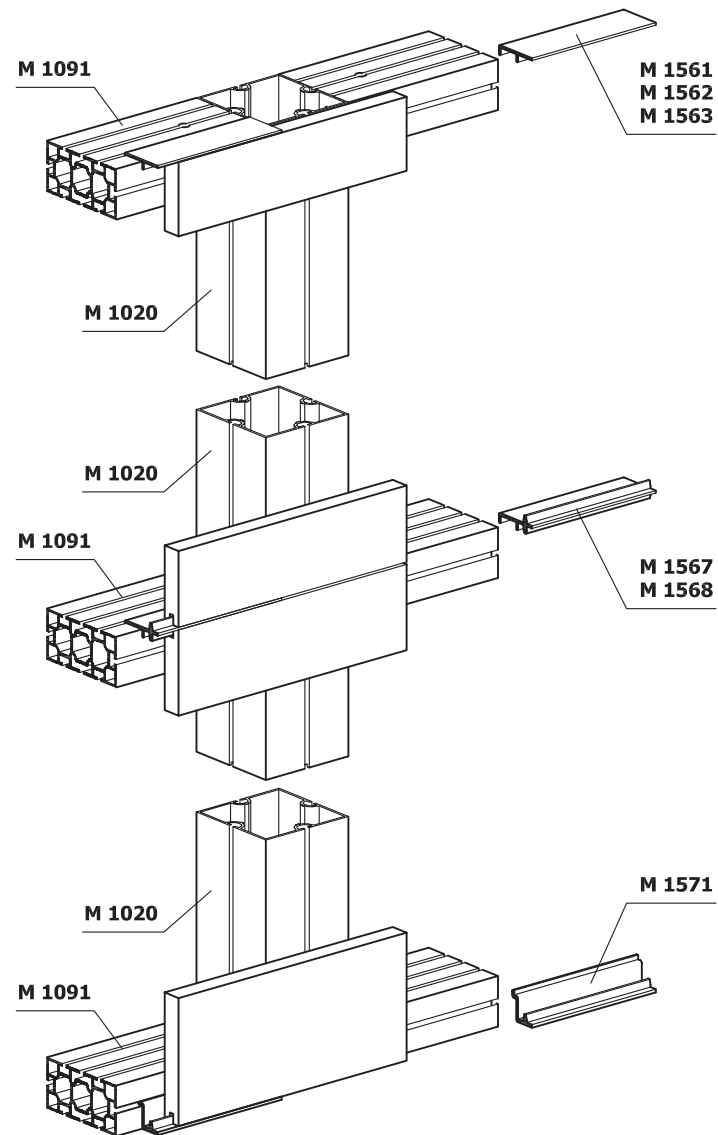
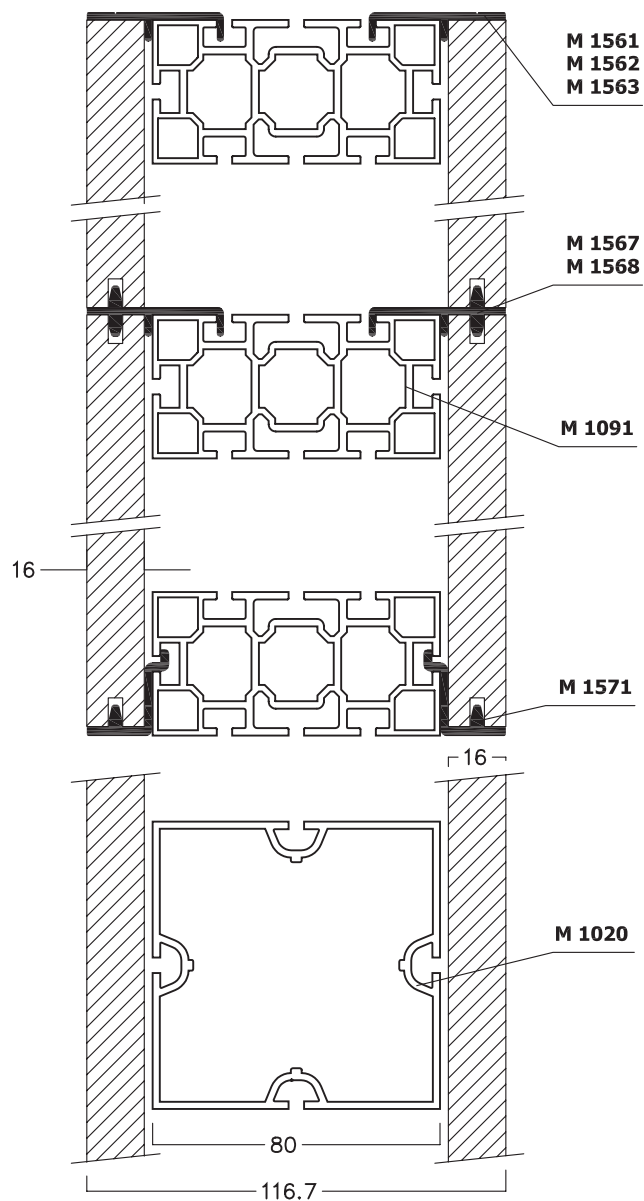


Combinations of extrusions (Panel retainers) for wall solutions "80 mm"

TI-M-30.0

technical information



TIM-30.0 EW.2653.23 21.06.06. gez:HB