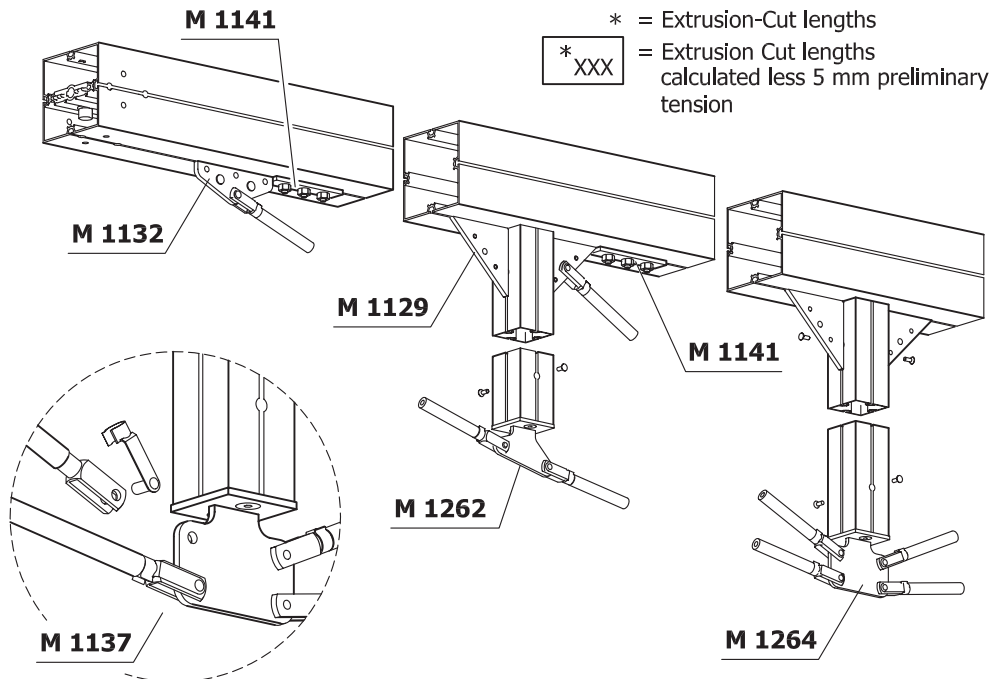
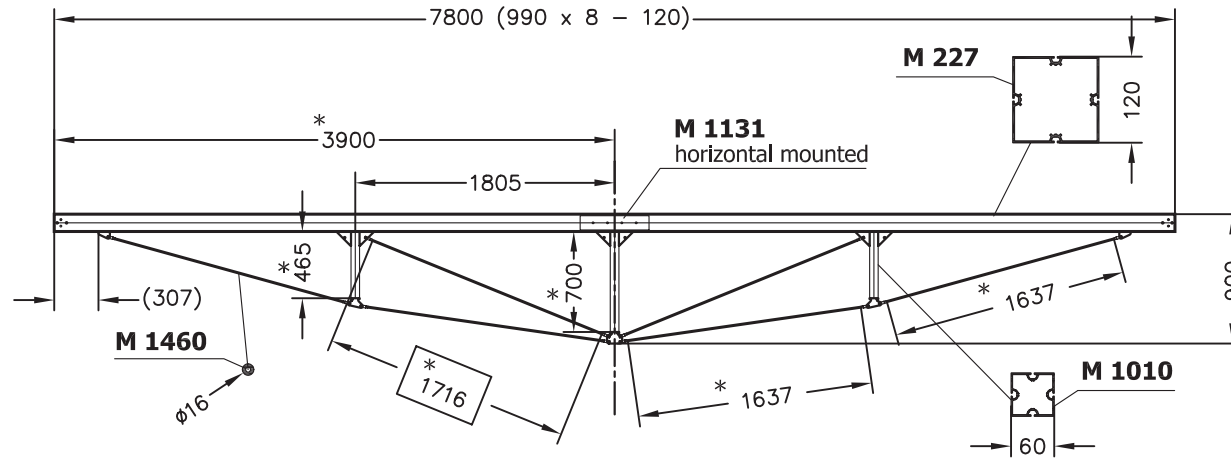


Beam with tie rod tensioning, 7.8 m long

TI-M-34.3

technical information



| Part-List: | | | |
|------------|----------|---------|---|
| Quantity | Art.-No: | Length: | Description: |
| 2 | M 225 | 3900 | Square Extrusion, drilling on both sides (universal) for Adaptor M 1102 |
| 1 | M 1131 | 480 | Extension Adaptor |
| 2 | M 1010 | 465 | Square Extrusion, drilled on both sides for Adaptor, rotated 90° |
| 1 | M 1010 | 700 | Square Extrusion, drilled on both sides for Adaptor, rotated 90 |
| 3 | M 1100 | | Tension Lock Adaptor mounted |
| 3 | M 1555 | | Adaptor (without tension lock) mounted |
| 4 | M 1460 | 1637 | Round Tube, on both side M 1137, mounted |
| 2 | M 1460 | 1716 | Round Tube, on both side M 1137, mounted |
| 6 | M 1129 | | Angle reinforcement |
| 1 | M 1264 | | Tension brace junction node with 4 drillings |
| 2 | M 1262 | | Tension brace junction node with 2 drillings, bevelled |
| 4 | M 1141 | | Anti-slipping device |
| 2 | M 1132 | | Connector part |

TIM-34.3 EW 2837.08 22.08.06, gez:VG gëät:ED