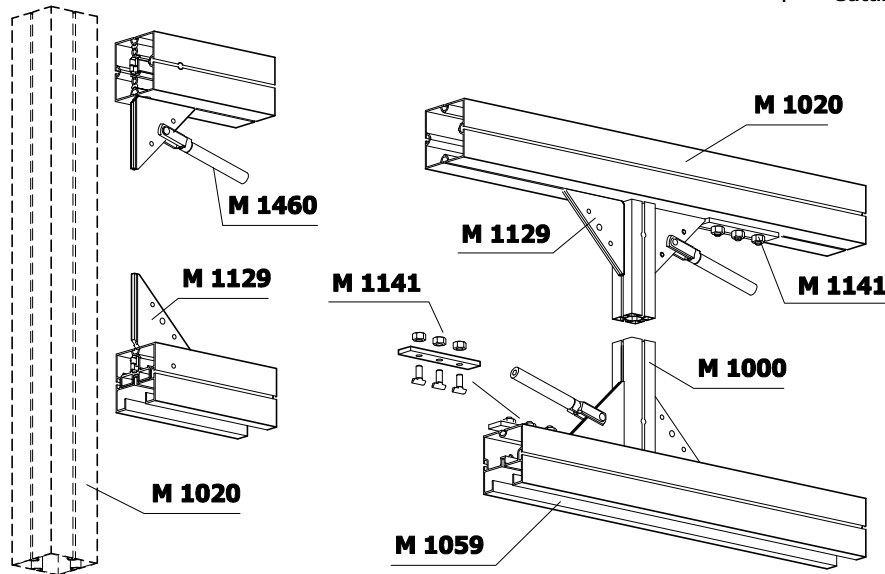


* = Cutting length of the extrusion



Parts list for Truss girder M 776			
Quantity	Art.-No:	Length:	Description:
1	M 1021	5860	Square Extrusion with drillings for M 1101 on both sides
1	M 1059	5860	Square Extrusion with drillings for M 1151 on both sides
3	M 1000	270	Square extrusion punched for Z 961/8 on both sides
2	M 1101		Tension lock adaptor mounted
2	M 1151		Tension lock adaptor mounted
6	Z 961/8		Tension lock mounted
4	M 1460	1256	Round tube with M 1137 mounted on both sides
16	M 1129		Angle reinforcement
4	M 1141		Anti-slipping device

Attention : Truss systems differing from the standard ones must be recalculated by a structural engineer