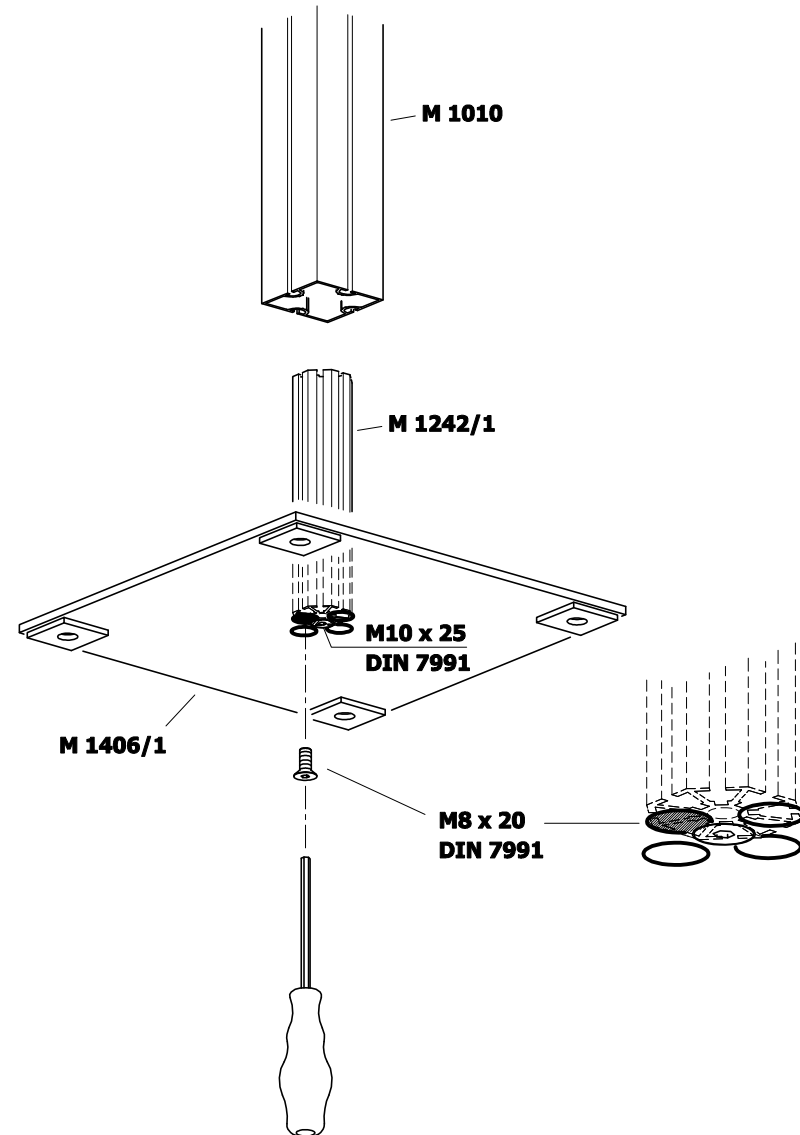
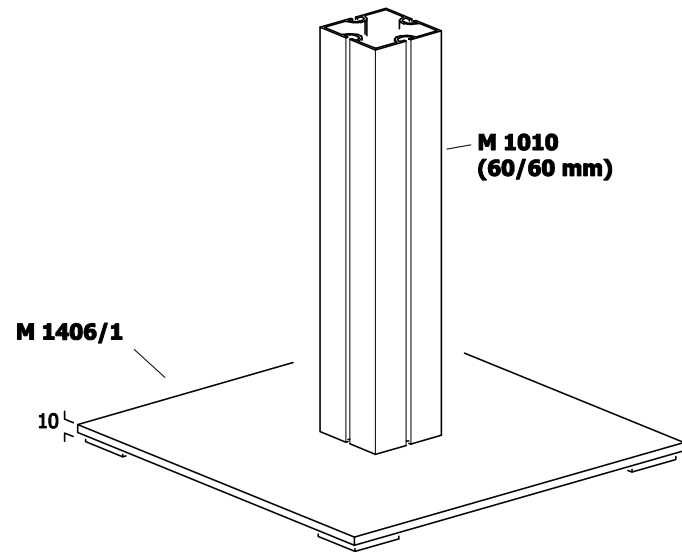


Mounting Extrusion M 1010 on Foot Plate M 1406/1 anti-twist protection

TI-M-52.0

technical information



TIM-52.0 EW2974-00 11.12.07/HB, geä. 01.02.08/HB 02/2008 shift