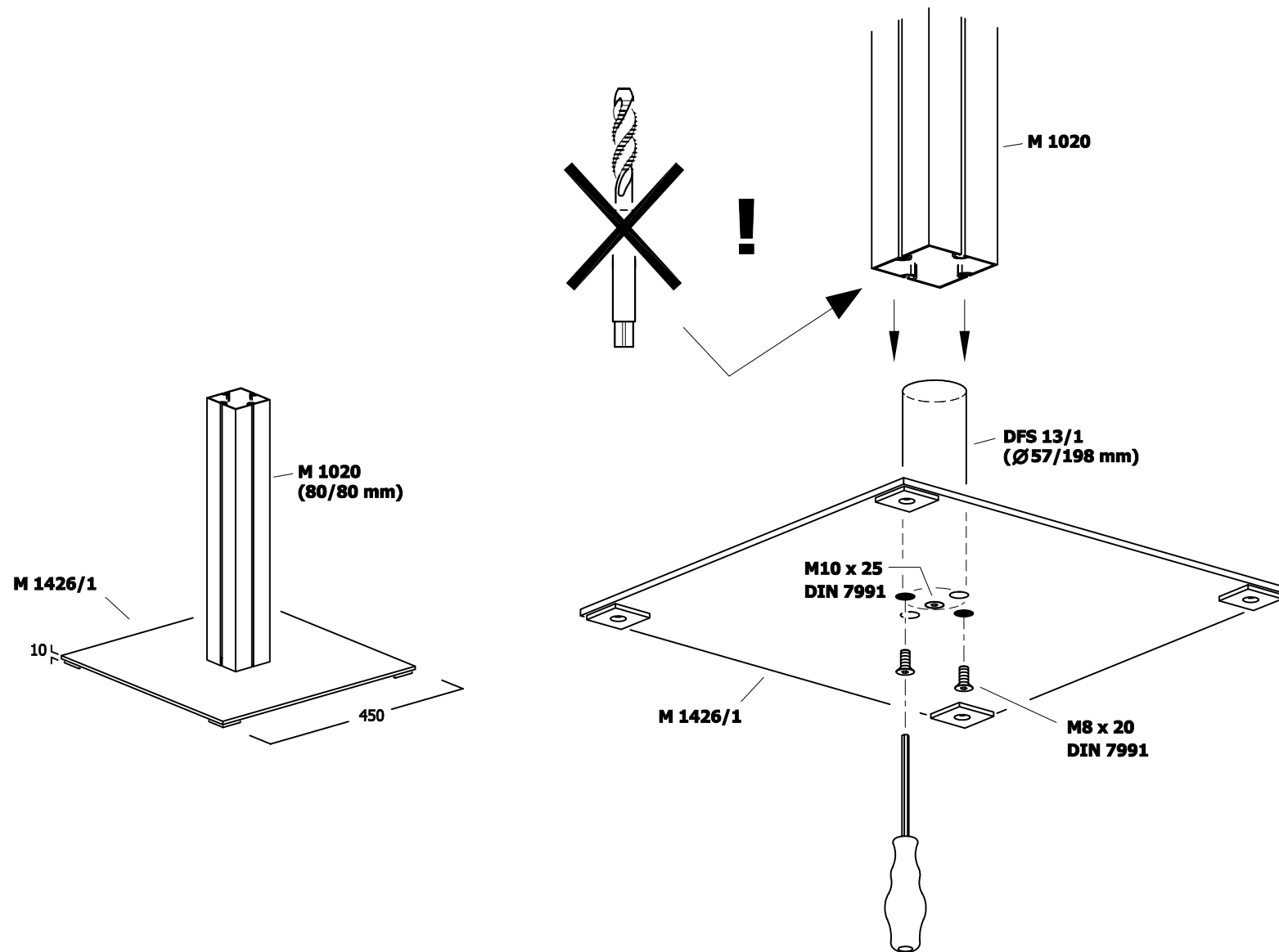


# Mounting Extrusion M 1020 on Foot Plate M 1426/I anti-twist protection

TI-M-53.0

## technical information



TIM-53.0 EW 2954-00 1.12.07/HB, geä. 13.02.08/HB 02/2008 shift