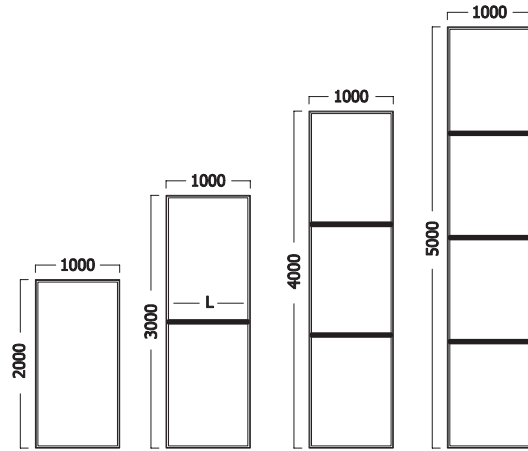


Bracing fabric frame extrusion M 1302 "one-sided fabric suspension"

TI-M-54.1

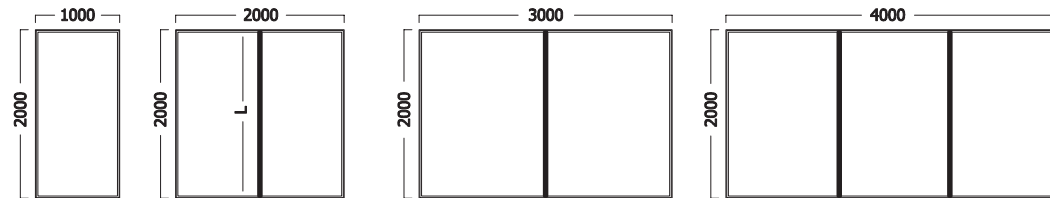
technical information

M 1302
Reinforcement height :

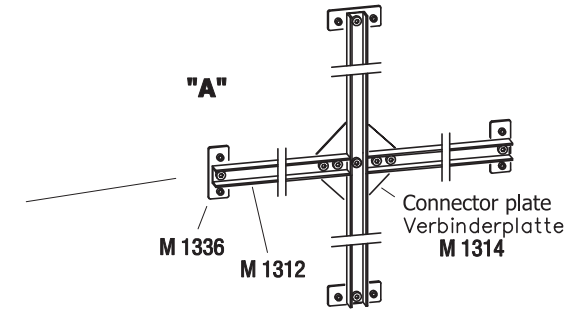
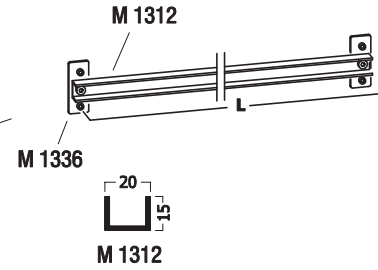
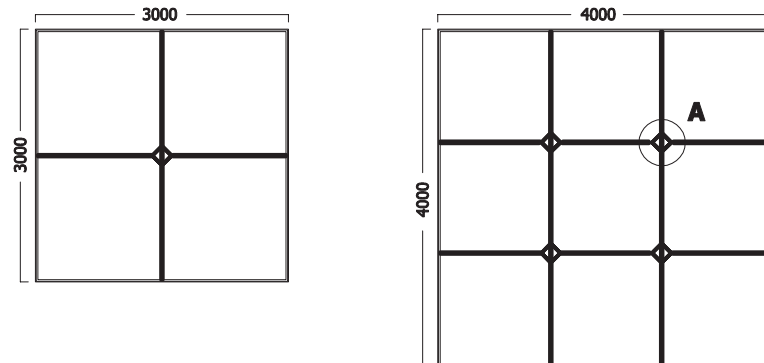


**X = Fabricframe dimension
L = X-12.2 (6,1+6,1)**

Reinforcement width :



Reinforcement width + height :



(Detail view : from behind)
(Detailansicht : von hinten)

TIM-54.1 EW 3086-00 11.12.07/HB, geä. 21.04.08 05/2008 shift