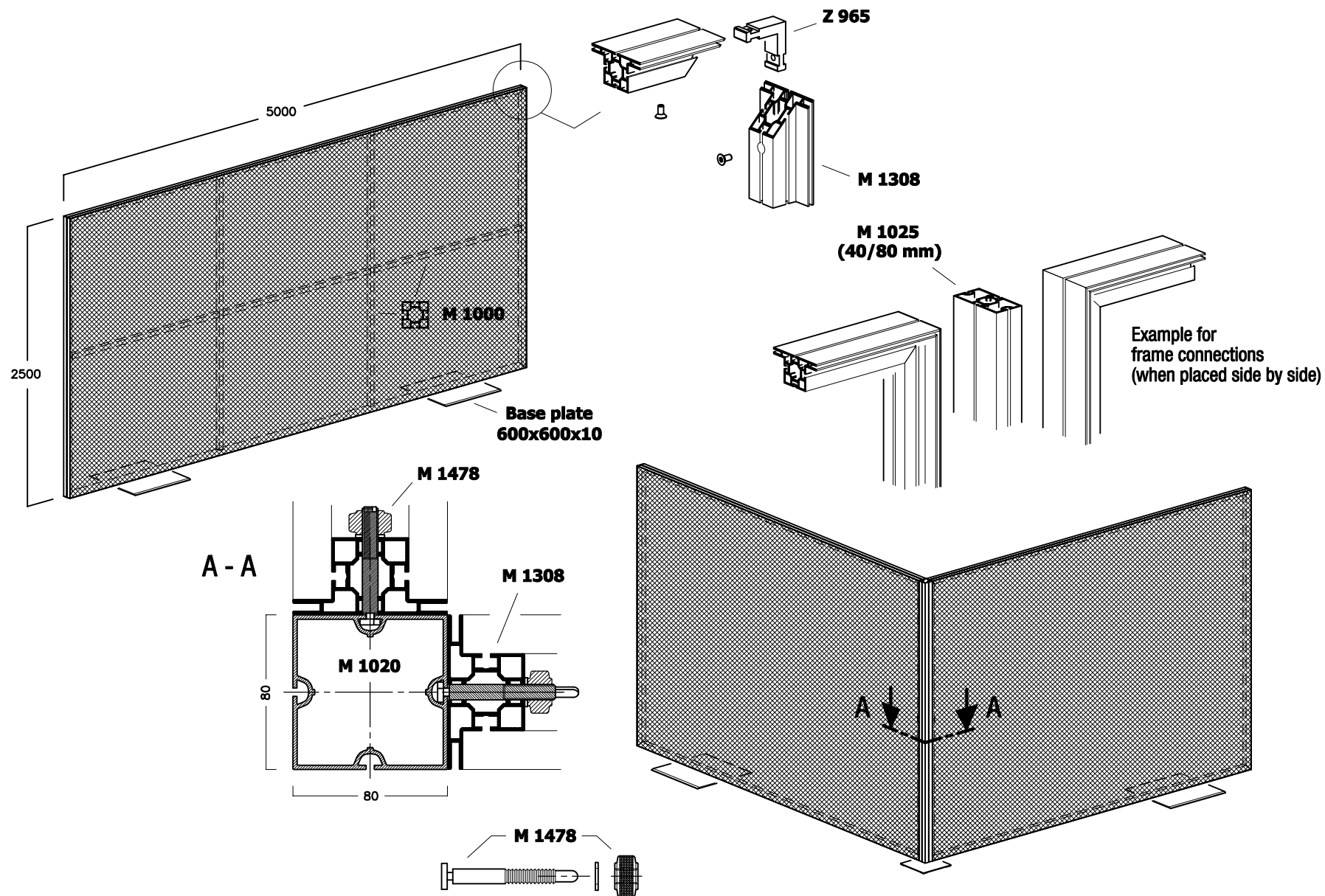


Extrusion frame for large presentation with M 1308

TI-M-54.2

technical information



TI-M-54.2 EV 3390.00 - 01.10.09/HB, geÄ. 11.11.09/HB - 11/2009 shift