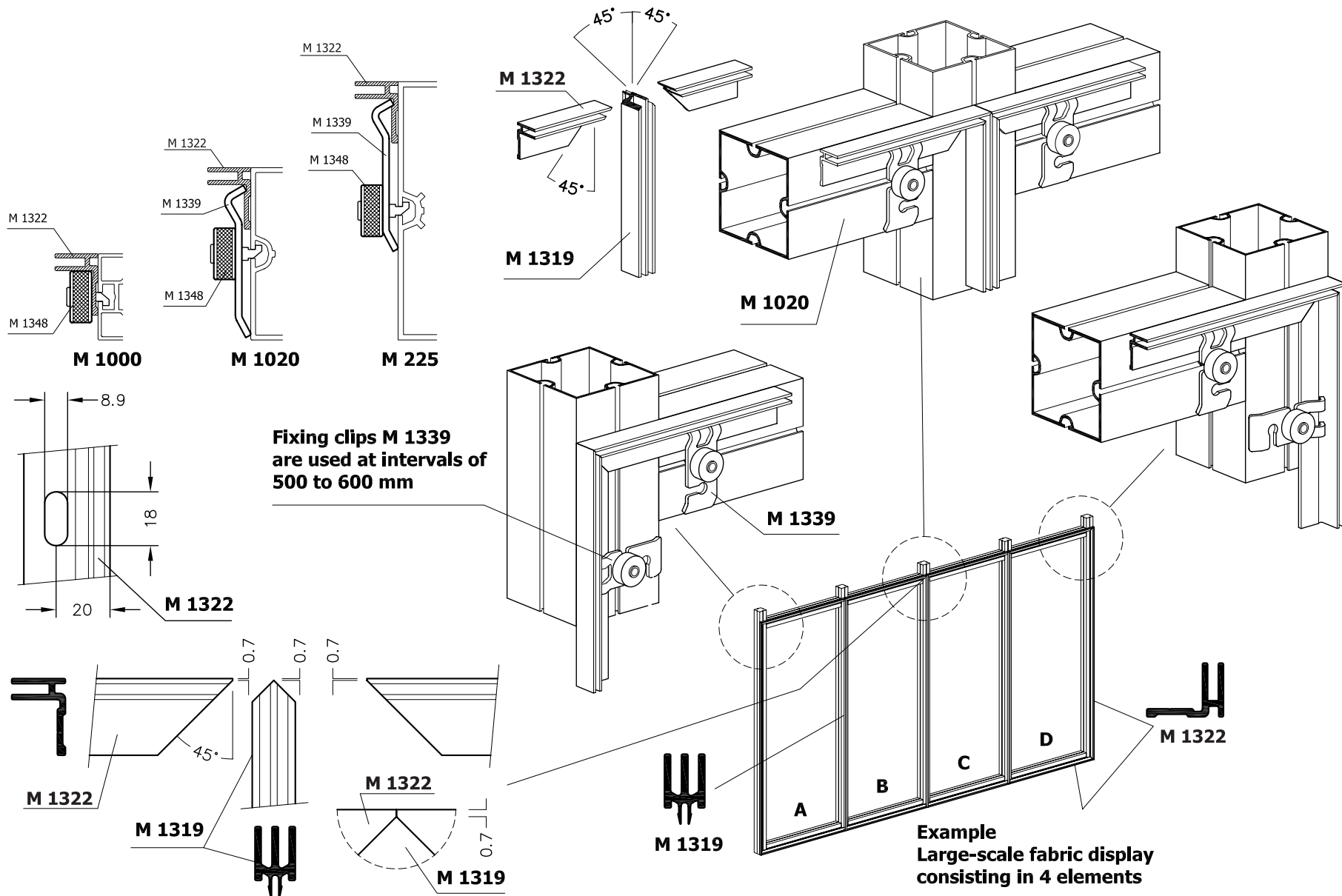


Examples for assembly of printed fabric elements

TI-M-55.0

technical information



TIM-55.0 EW 2809,79 - 19.03.08/WG; gea. 12.02.10/WG - 10/2010 shift