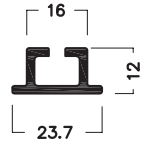
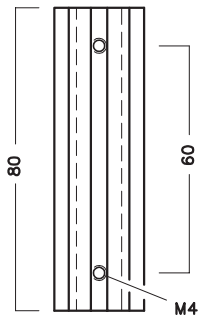


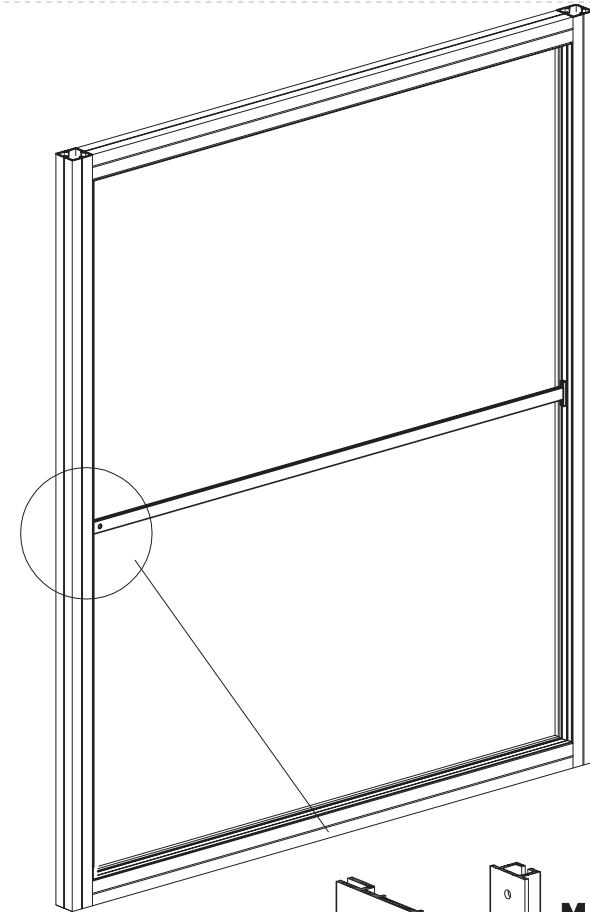
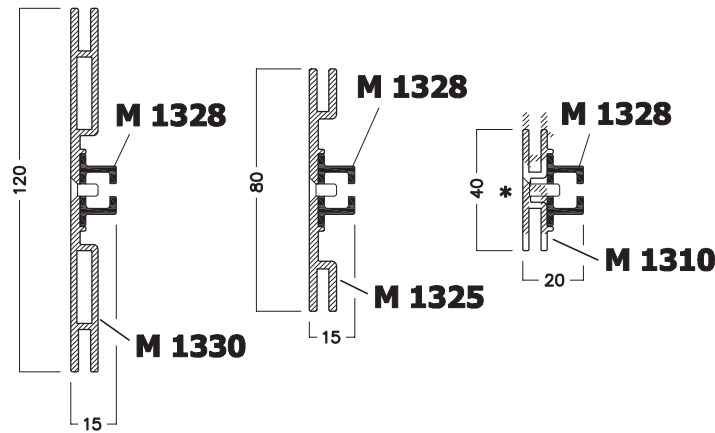
“solution proposal for additional beam reinforcement”



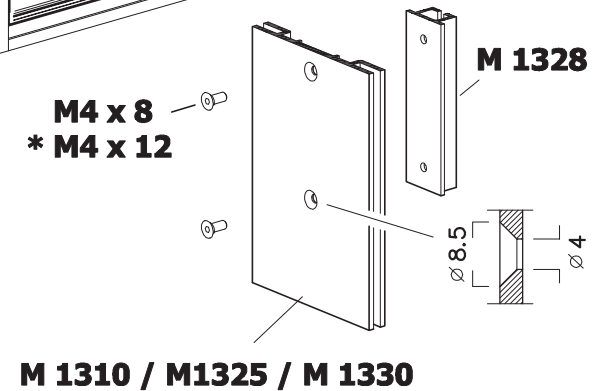
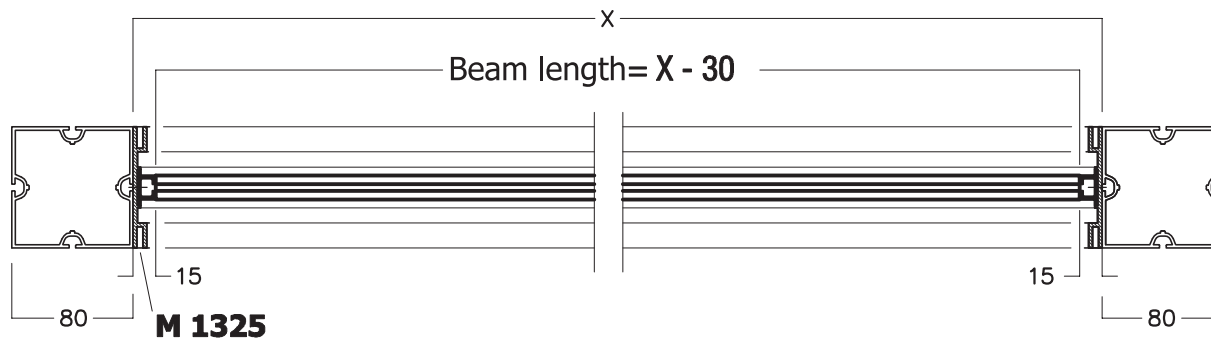
ADAPTOR EXTRUSION
M 1311 (5000 mm)



ADAPTER
M 1328



Sample with M 1325:



TIM-57.0 EW 3136-00 25.04.08/HB 05/2008 shift