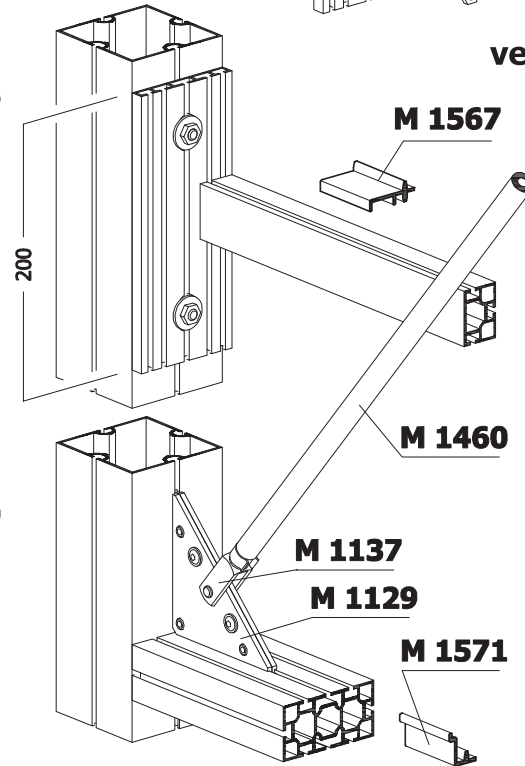
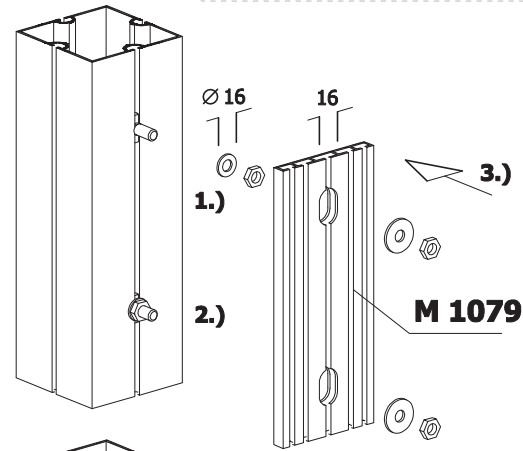
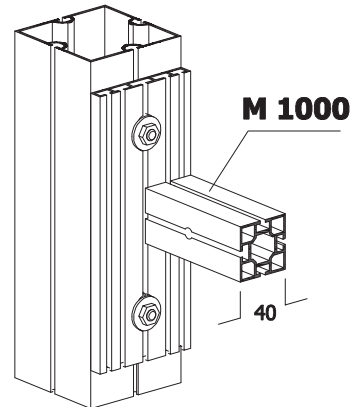
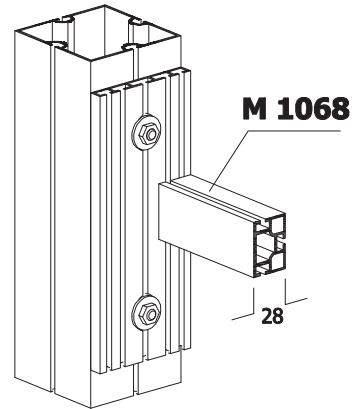
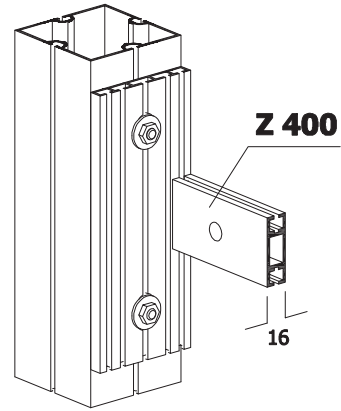
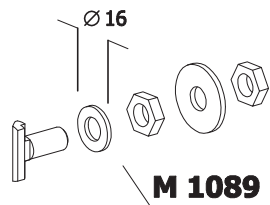
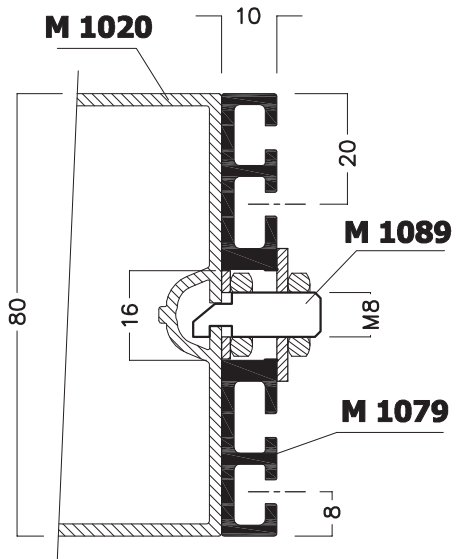
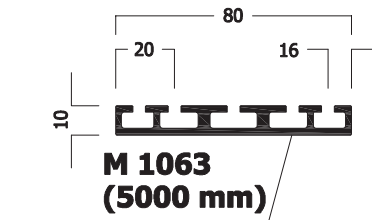


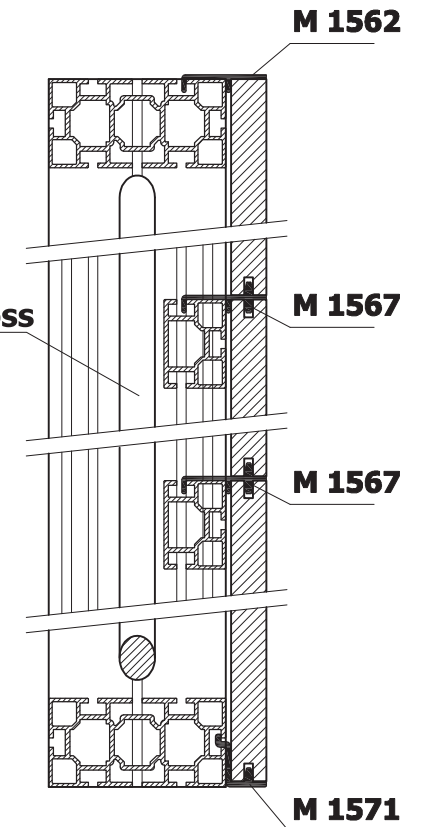
example for the usage of connector part M 1079 (M 1063 connecting extrusion)

TI-M-58.0

technical information



Wall construction with vertical cross bracing and one-sided wall covering



TI-M-58.0 EW 3135-02 29.04-08/WG 05/2008 shift