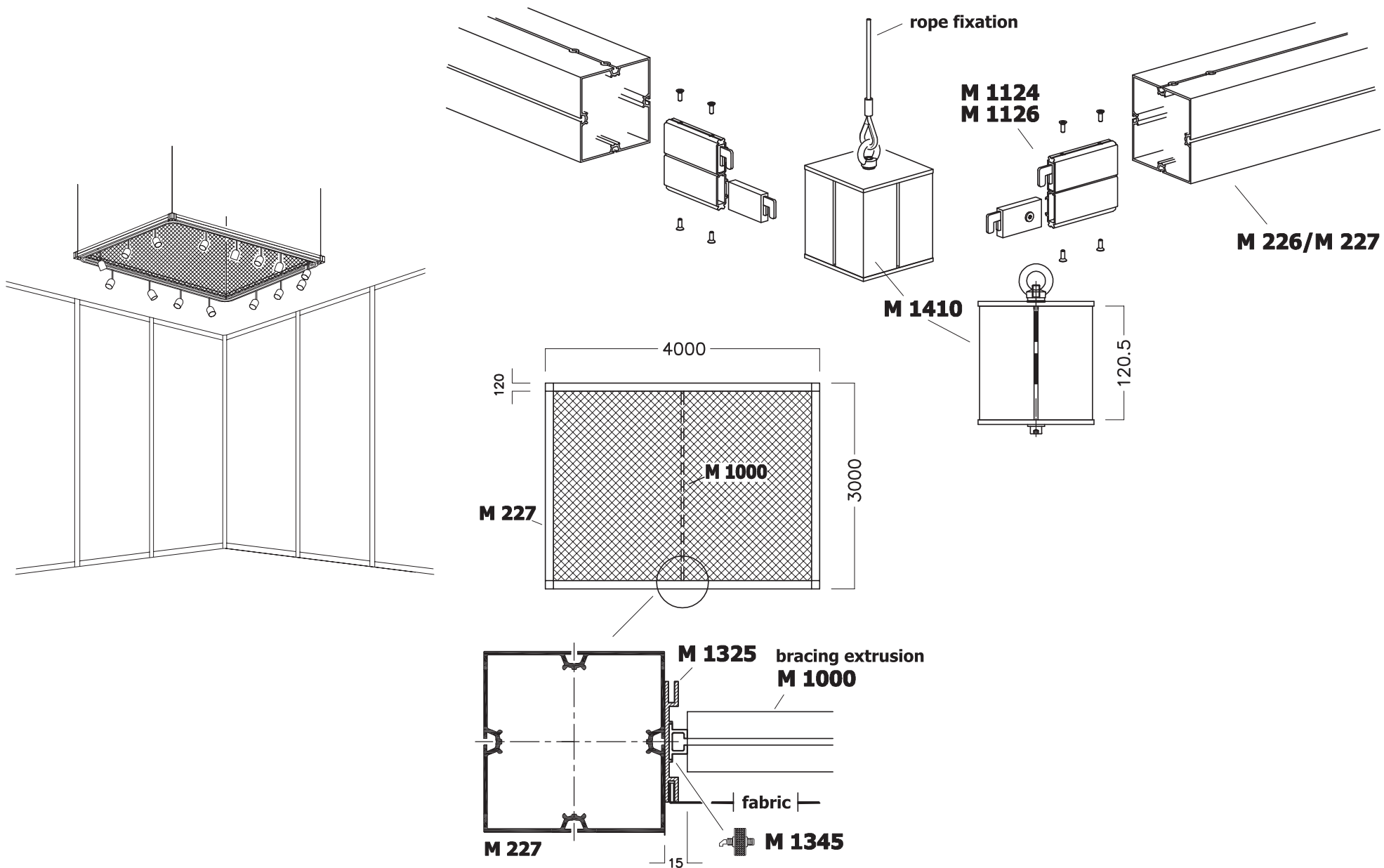


# Ceiling elements with fabric covering "Solution for frame construction"

TI-M-59.0

## technical information



TIM-59.0 EW 3132-55 02.05.08/WG 05/2008 shift