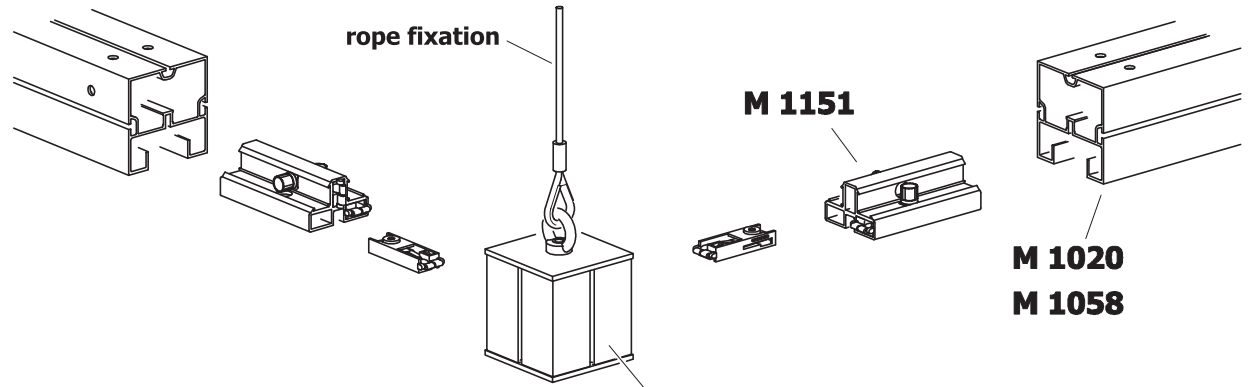
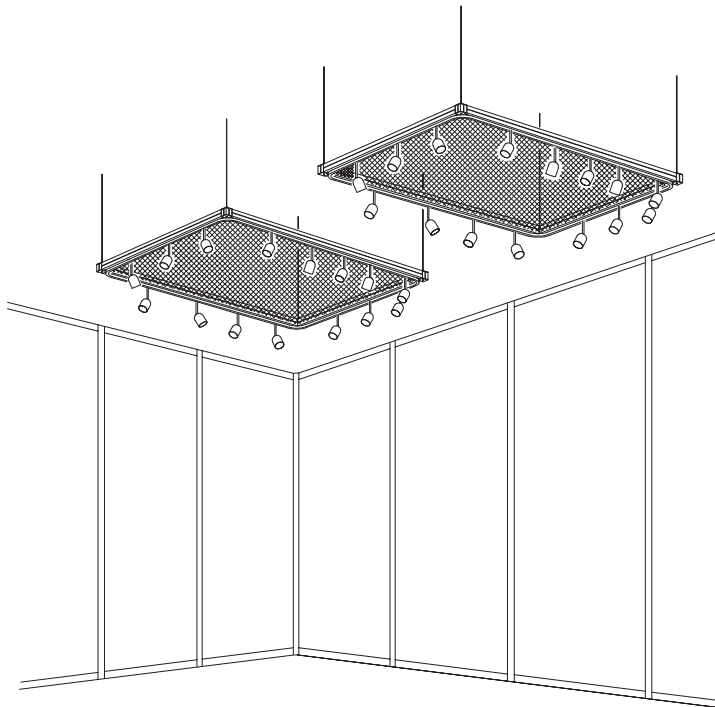


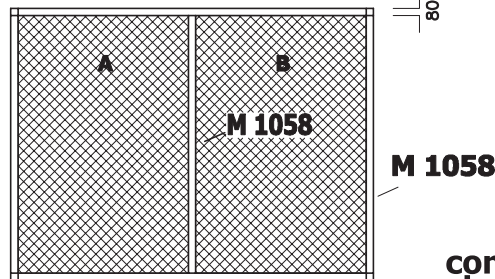
Ceiling elements with fabric covering "solution for frame construction"

TI-M-59.1

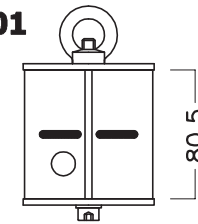
technical information



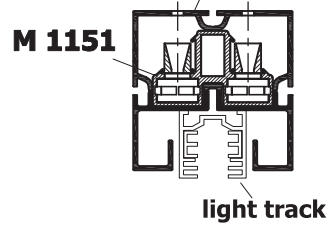
version 1



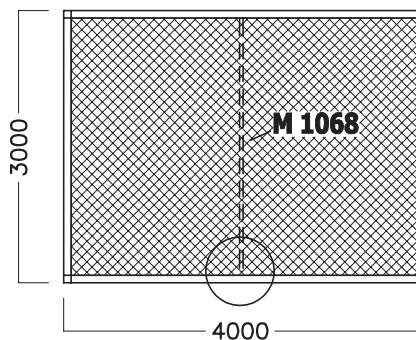
M 1401



M 1058 / M 1059



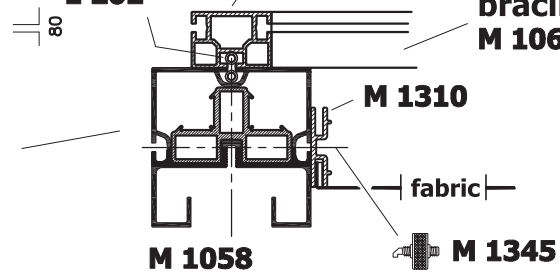
version 2



connecting clamp E 262

M 1068 (40 mm long)

bracing extrusion M 1068



TIM-59.1 EW 3132-55 02.05.08/WG 05/2008 shift