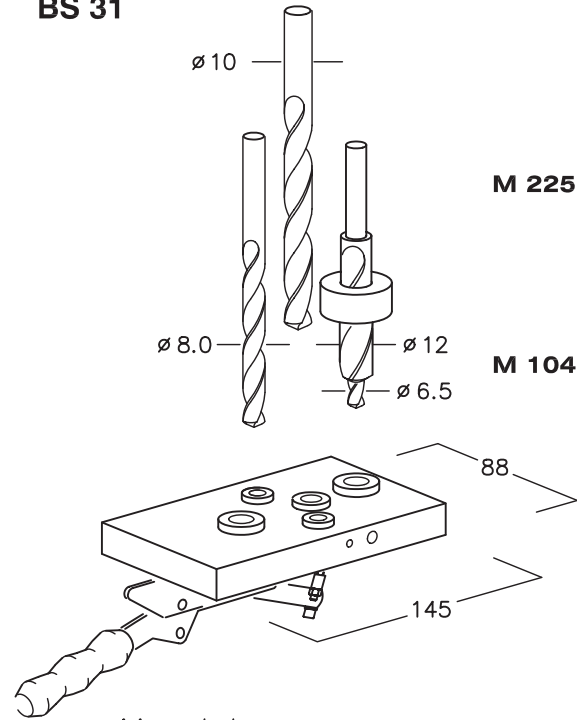


**Drilling jig
BS 31**

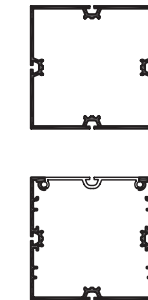


aluminium, steel,
incl. countersink drill
ø 6.5/ø 12,
drill ø 8/ø 10,
for tension lock adapter
M 1102, M 1104 and
hinge-adapter M 1282

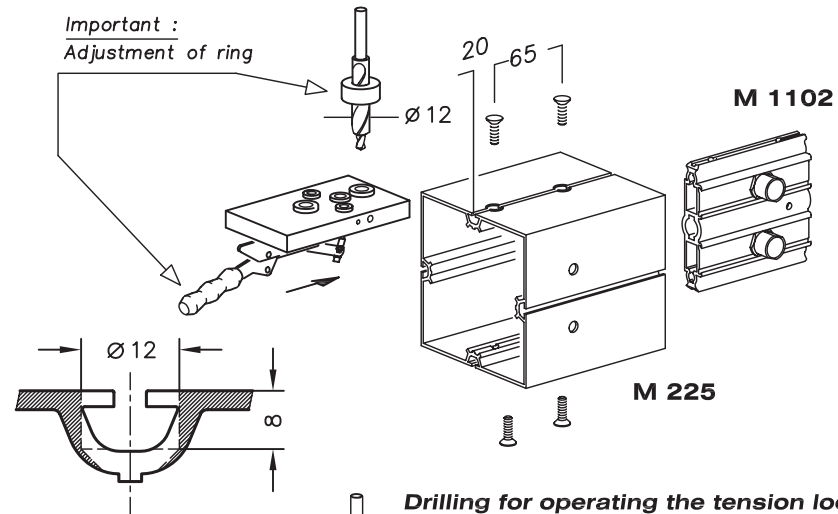
for profile :

M 225

M 1040



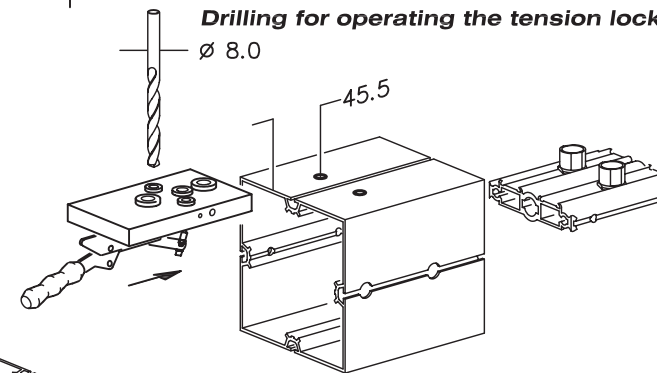
Important :
Adjustment of ring



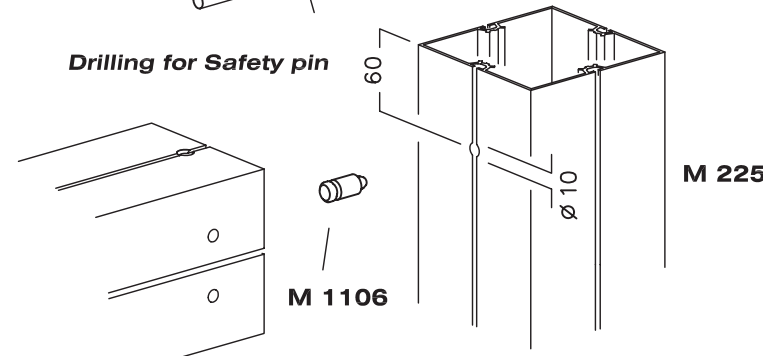
M 1102

M 225

Drilling for operating the tension lock



Drilling for Safety pin



M 1106