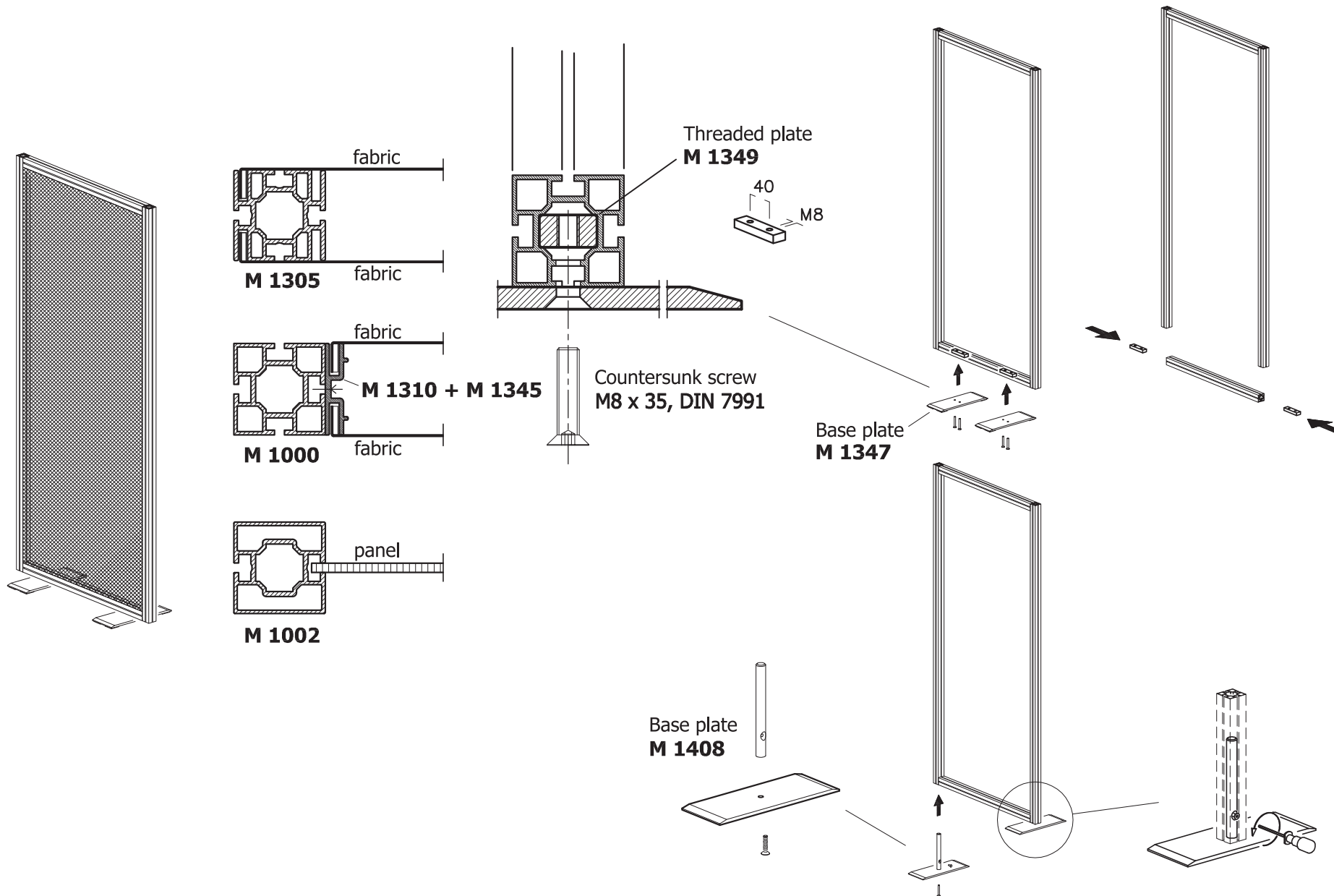


# Base plate M 1347, M 1408 for moveable wall

TI-M-60.0

## technical information



TIM-60.0 EW 3138-00 05.05.08/WG 05/2008 shift