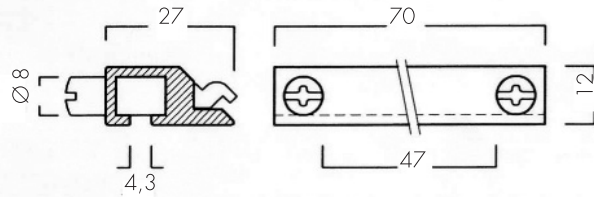


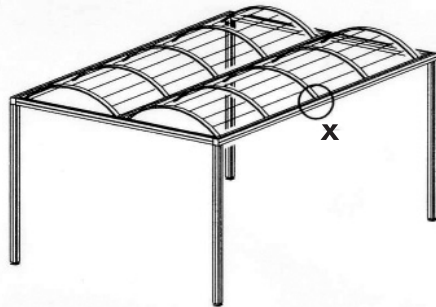
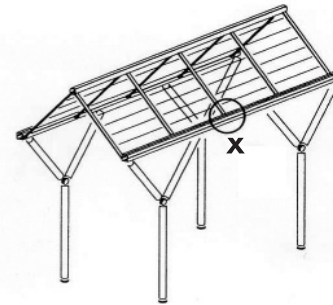
Mounting Example for E 702

TI-M-7.0

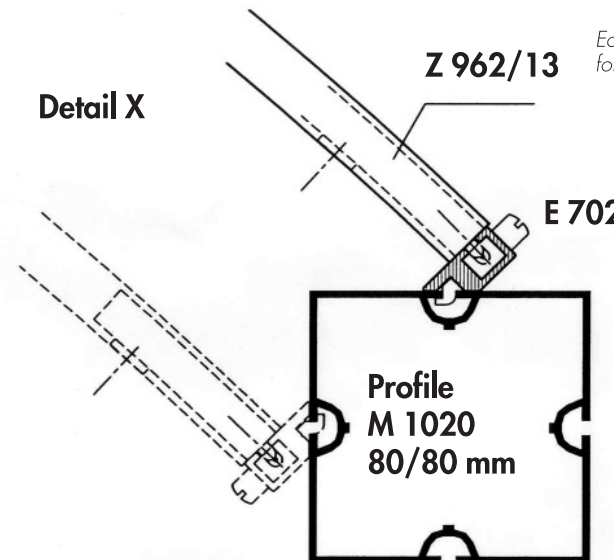
technical information



Interior corner connector for beams
Aluminium clear anodized, matte
steel, nickel-plated



Detail X



Eccentric tension lock
for curved beams

Z 962/13

E 702

Profile
M 1020
80/80 mm

TI M-7.0 11/00 neues Layout 09/2005 shift