

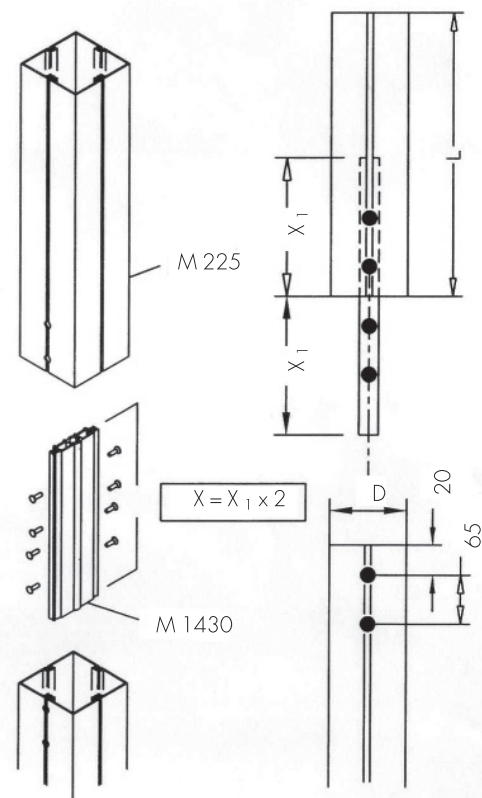
L = Profile extension

L = 250 bis 990 mm

$X_1 = 2 \times D$

L = 1000 bis 3000 mm

$X_1 = 3 \times D$



Important: Extensions of beam extrusions must be re-checked according to load.