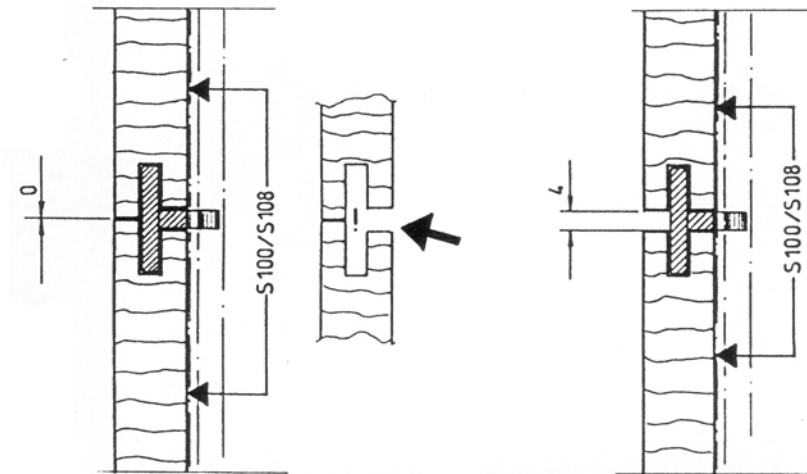
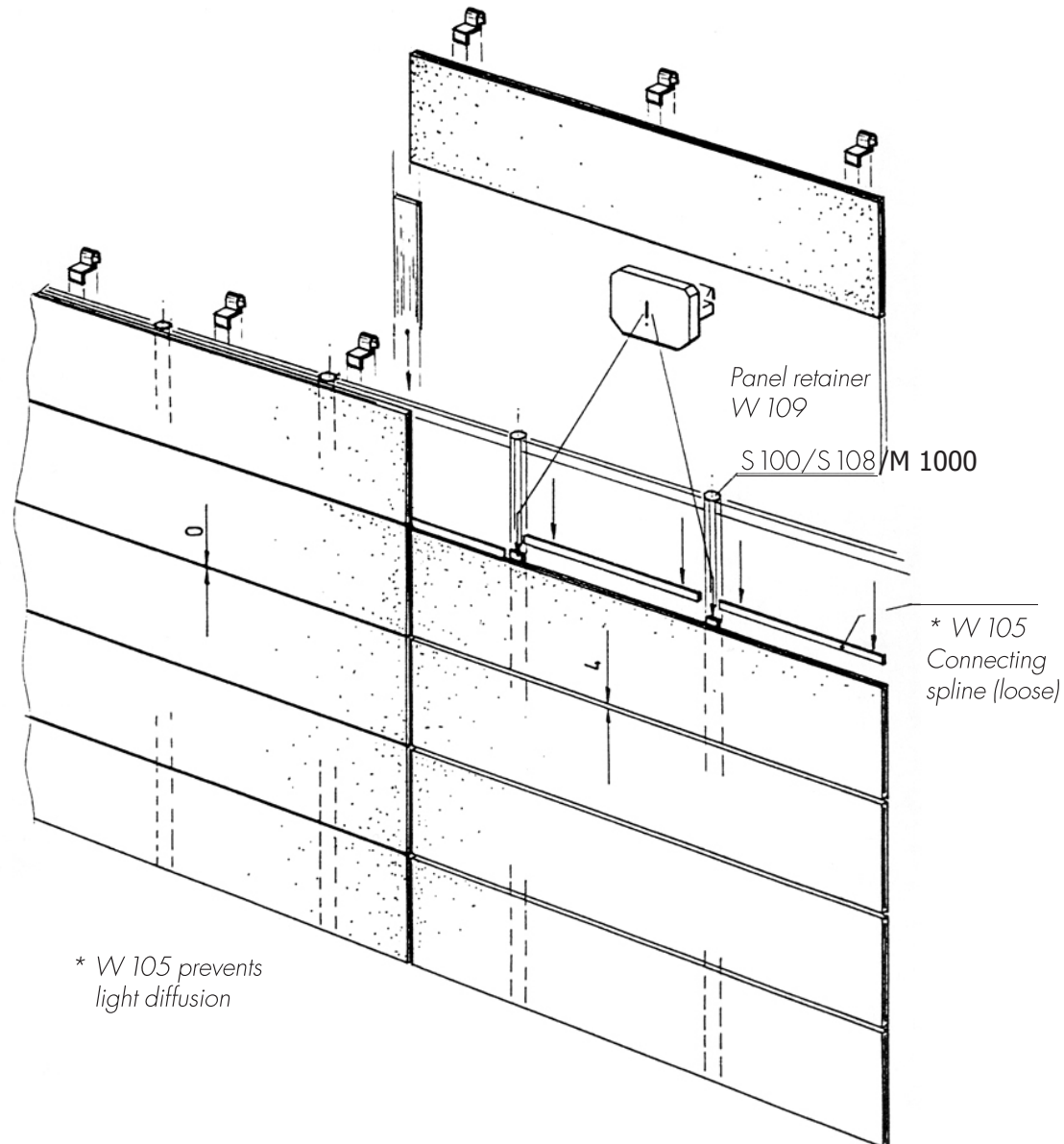


Gaps running horizontally

TI-MB-VW5.4

technical information



Horizontal gaps can be changed or avoided by rebating the panel front edge

Note:
Standard construction with panel retainer W 109 causes 4 mm gaps

TI MB-VW 5.4 04.1990 10/05 SHIFT