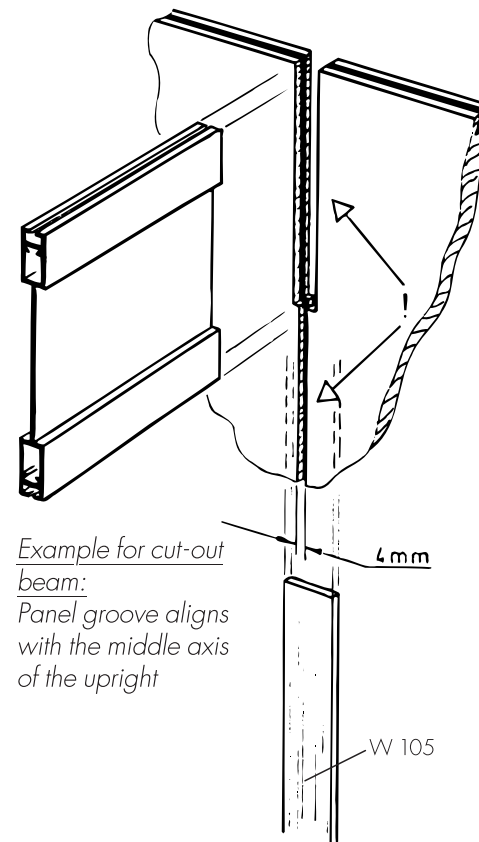
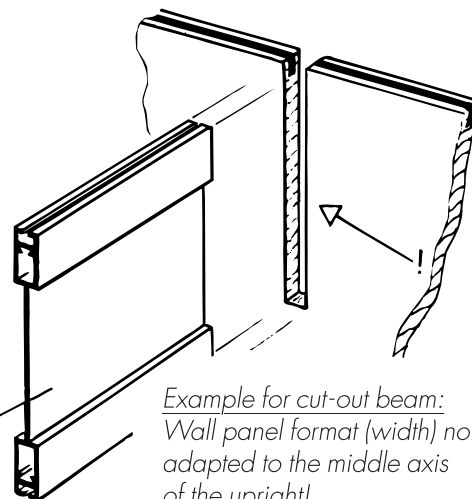


**Example 1:**  
Ceiling beam connection in the wallpanel (16 mm) area



Example for cut-out beam:  
Panel groove aligns with the middle axis of the upright



Example for cut-out beam:  
Wall panel format (width) not adapted to the middle axis of the upright!

e. g.: Z508  
Ceiling beam

TI MB-VW 6.0 04.1990 10/05 SHIFT