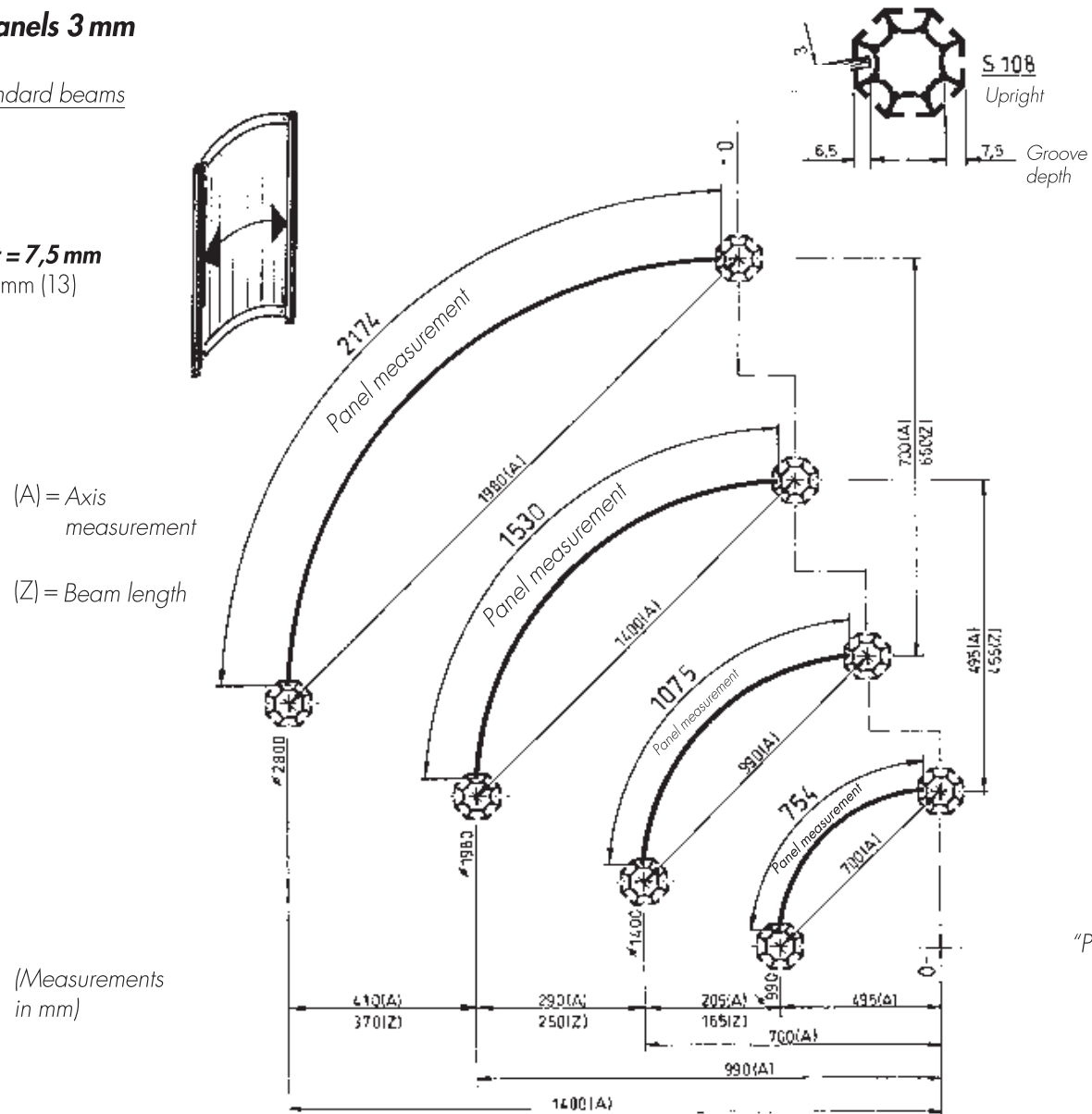


**Measurements of wall panels 3 mm  
"Panel width"**

*for application with curved standard beams*

**Depth of groove of the upright = 7,5 mm**

Panel insertion depth =  $2 \times 6.5$  mm (13)



"Panel height" see page W 3.2