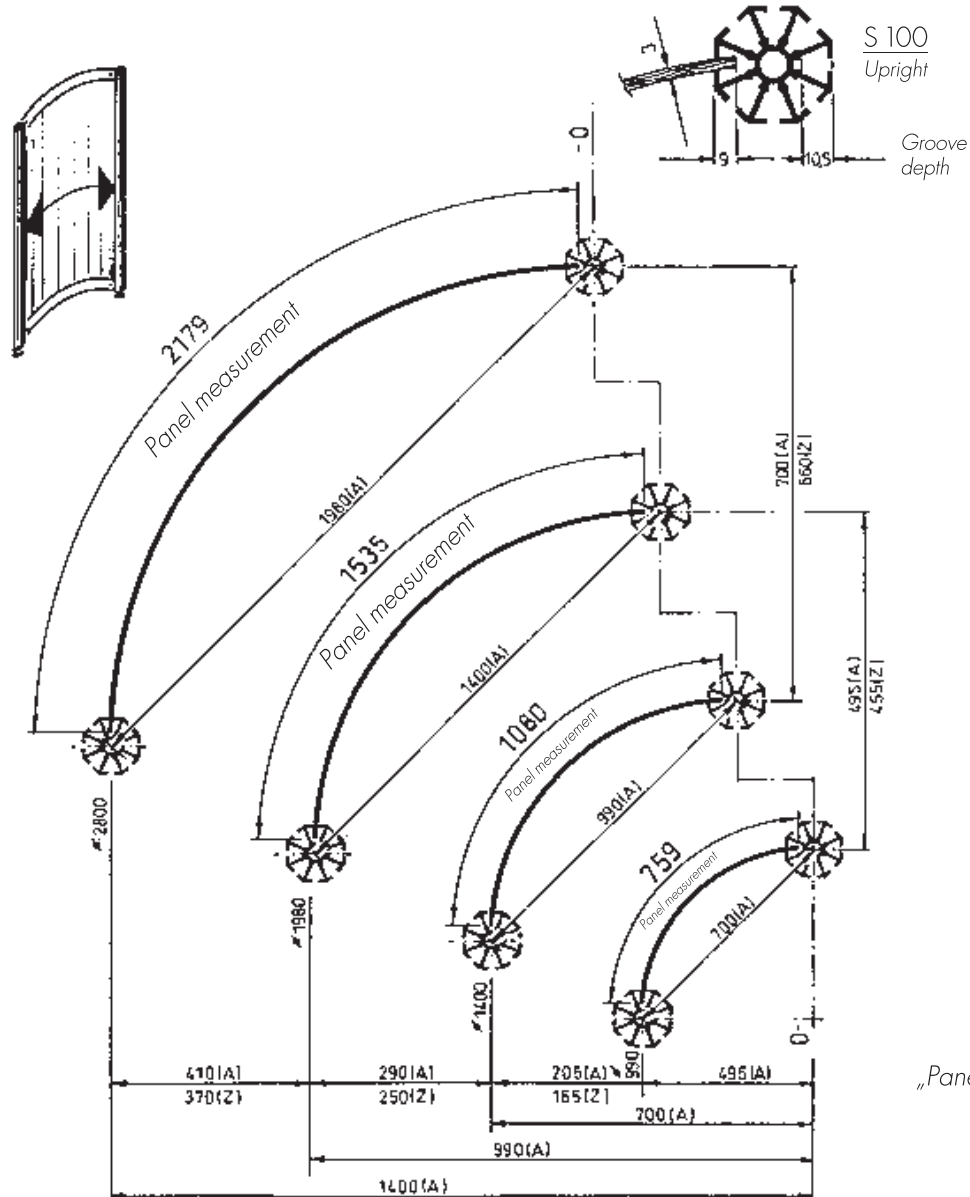


**Measurements of wall panels 3 mm
"Panel width"**

for application with curved standard beams

Depth of groove of the upright = 10.5 mm

Panel insertion depth = 2×9 mm (18)



(A) = Axis measurement

(Z) = Beam length

(Measurements in mm)

„Panel-height“ see page W 3.3

TI MB-W 3.6 04.1990 10/05 SHIFT