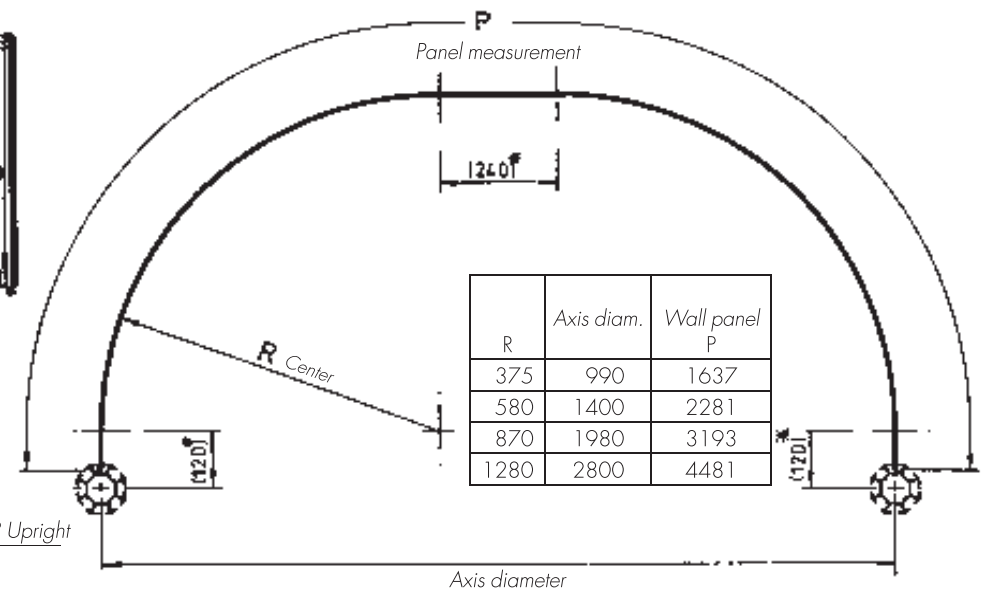
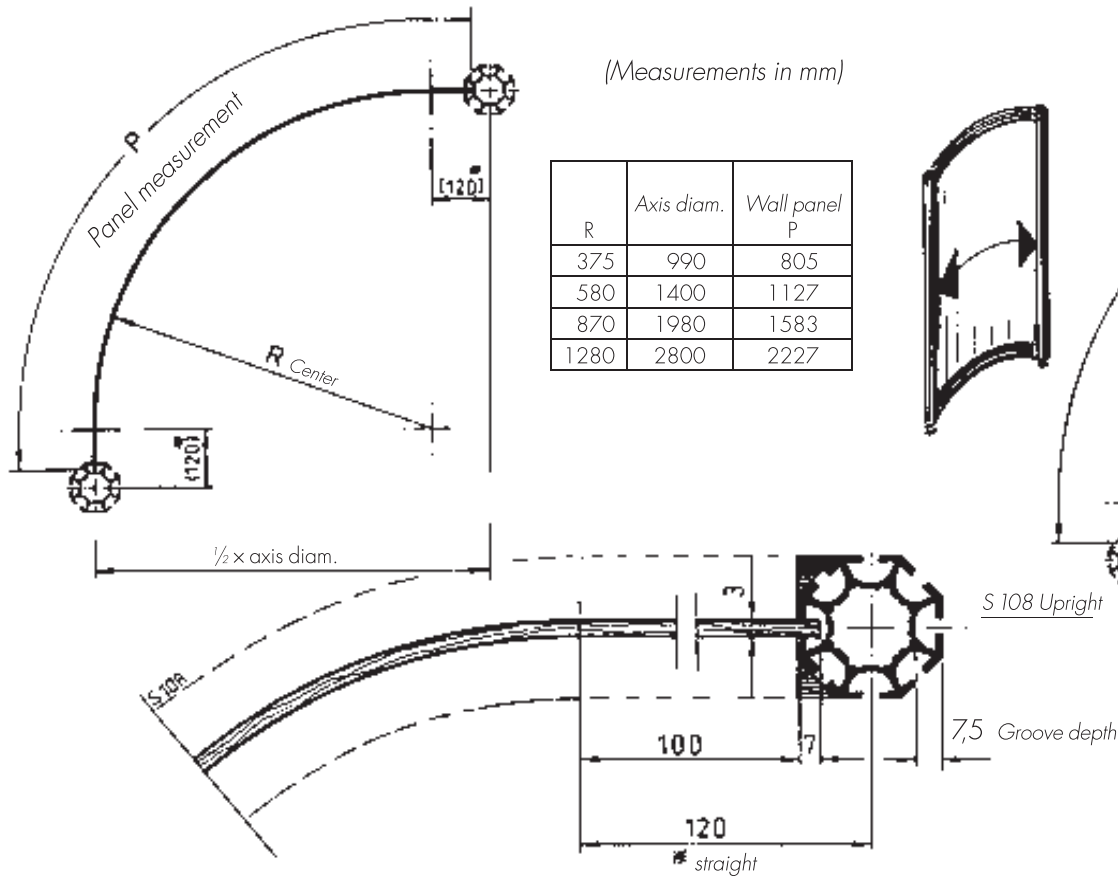


**Measurements of wall panels 3 mm**  
**"Panel width"**

for application with curved standard S 108 elements

**Depth of groove of upright = 7.5 mm**

Panel insertion depth = 2 × 7 mm (14)



TI MB-W 3.7 04.1990 10/05 SHIFT