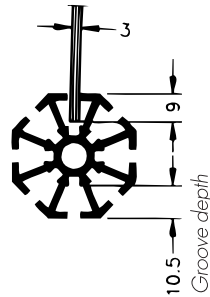


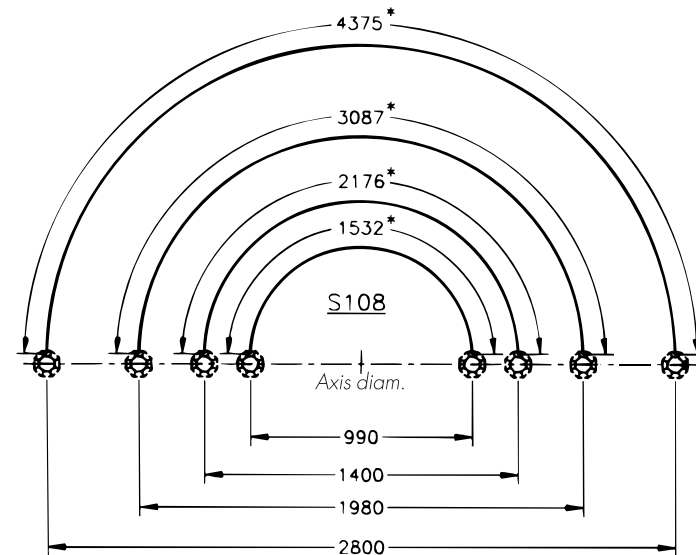
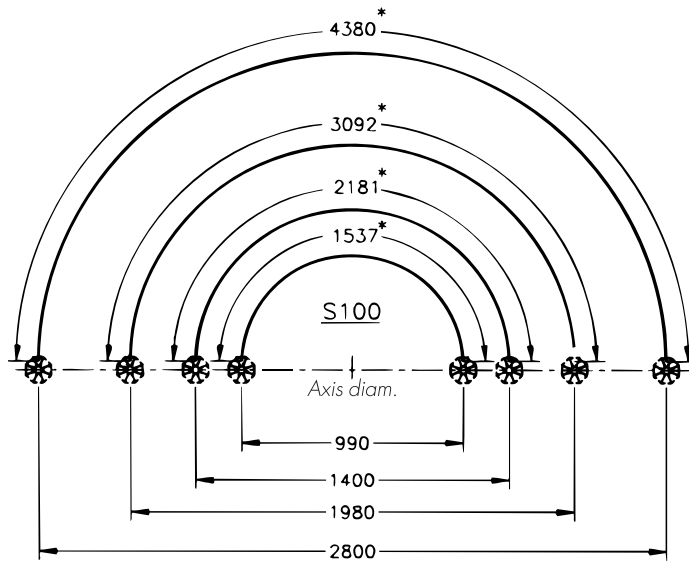
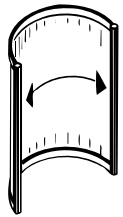
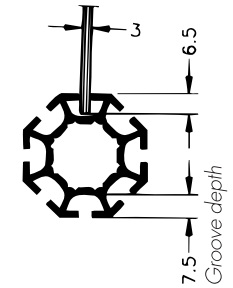
Dimensions for wall panels 3 mm
"Panel width"

to be used in combination with standard curved beams

S 100 upright



S 108 upright



* = Panel dimension

(Measurements in mm)

„Panel -height“ see page W 14.2 or page W 3.3

TI MB-W 3.9 05.1994 10/05 SHIFT