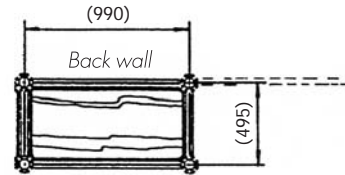


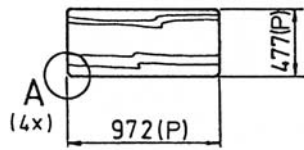
Measurements of wooden floor panels

Beam length + 22 = Panel dimension (width x depth) ◀

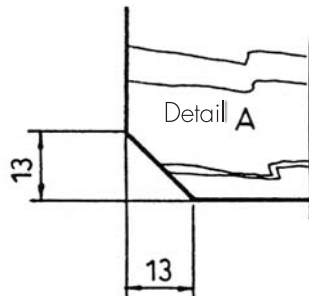
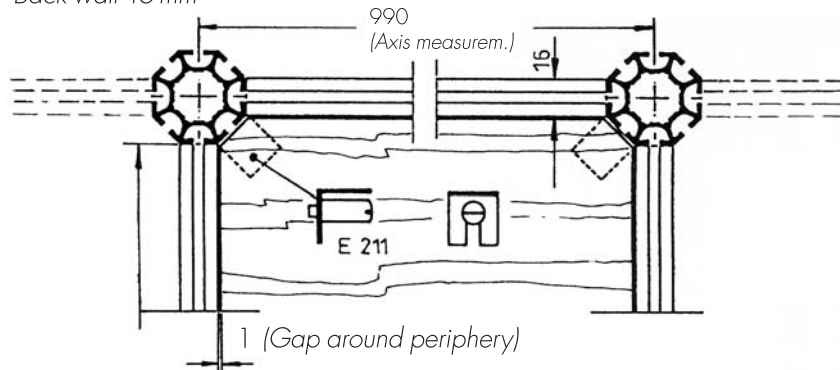


Beam length + 28 = Panel dimension (Depth) ◀

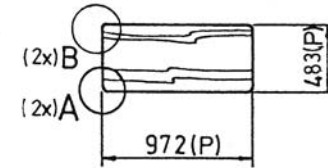
Example



Example 1
Back wall 16 mm



Example



Example 2
Back wall 4 mm

