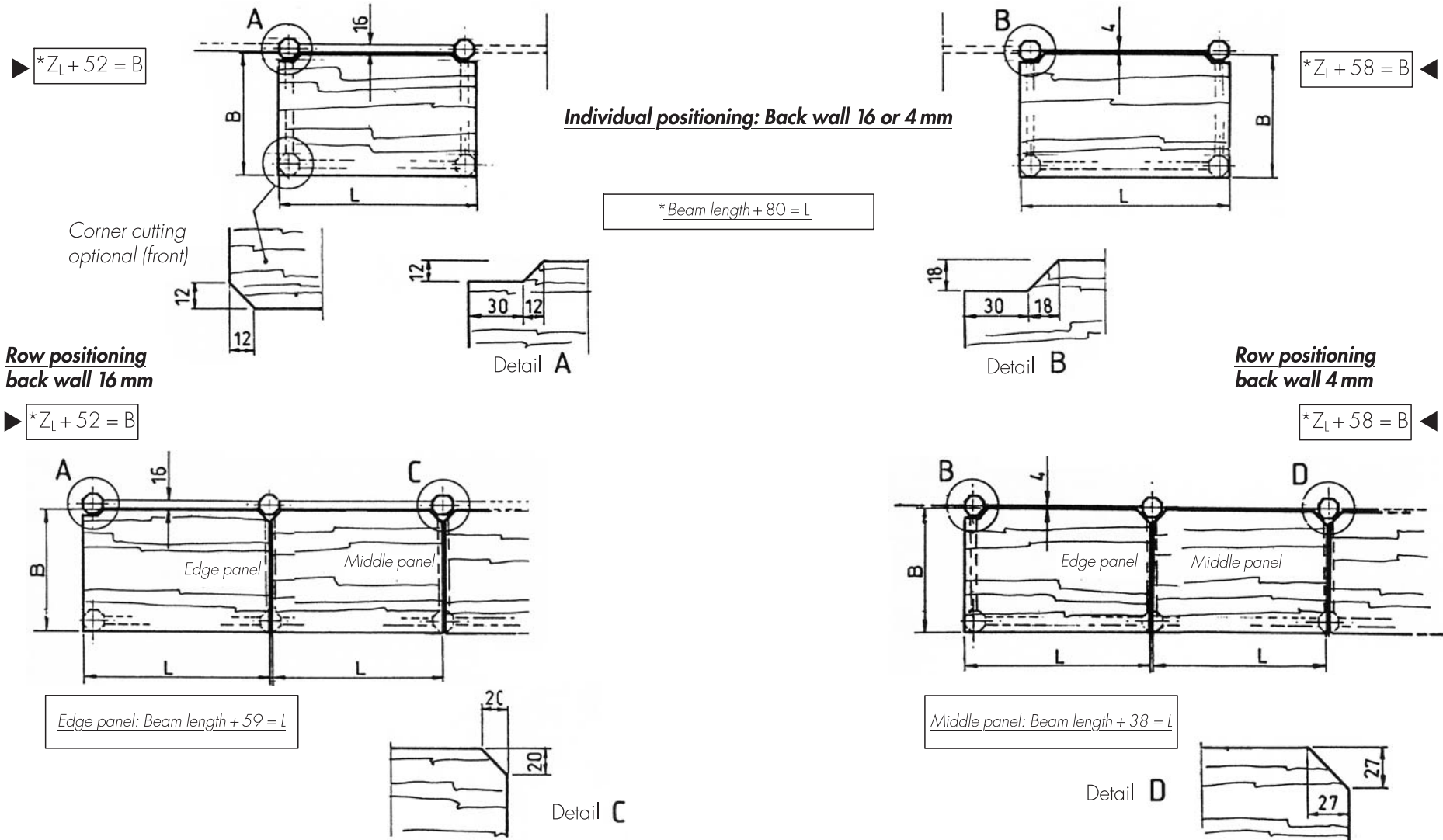


Measurements of wooden supporting panels



TI MB-W 4.1.04.1990 10/05 SHIFT