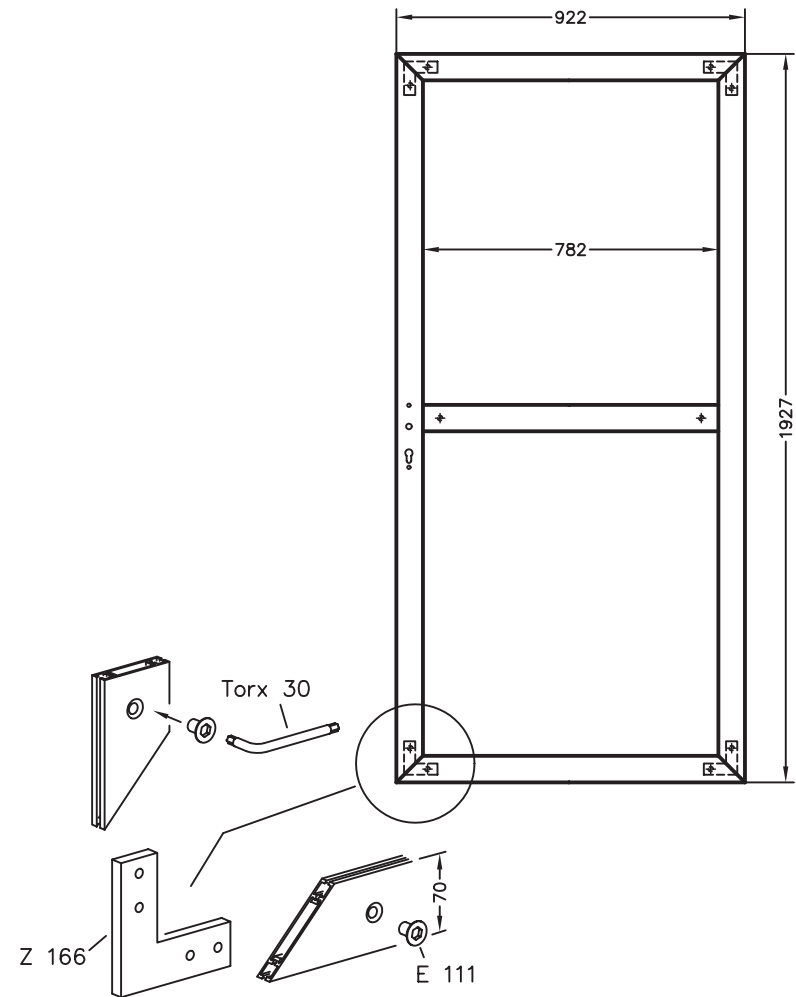
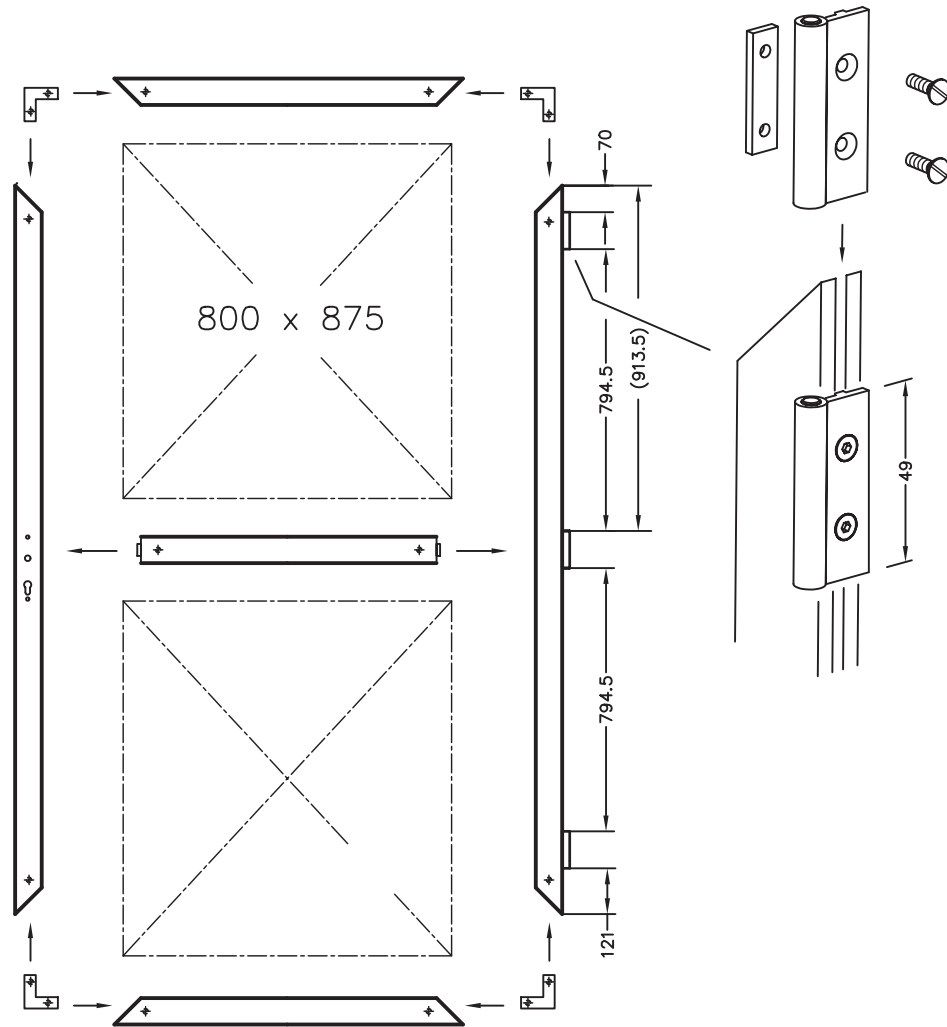


Beam door - hinged W 540 / W 541

TI-MB-W6.1

technical information



TI MB-W 6.1 EW 2120 28.05.03/HB geät. 15.12.04 10/05 SHIFT