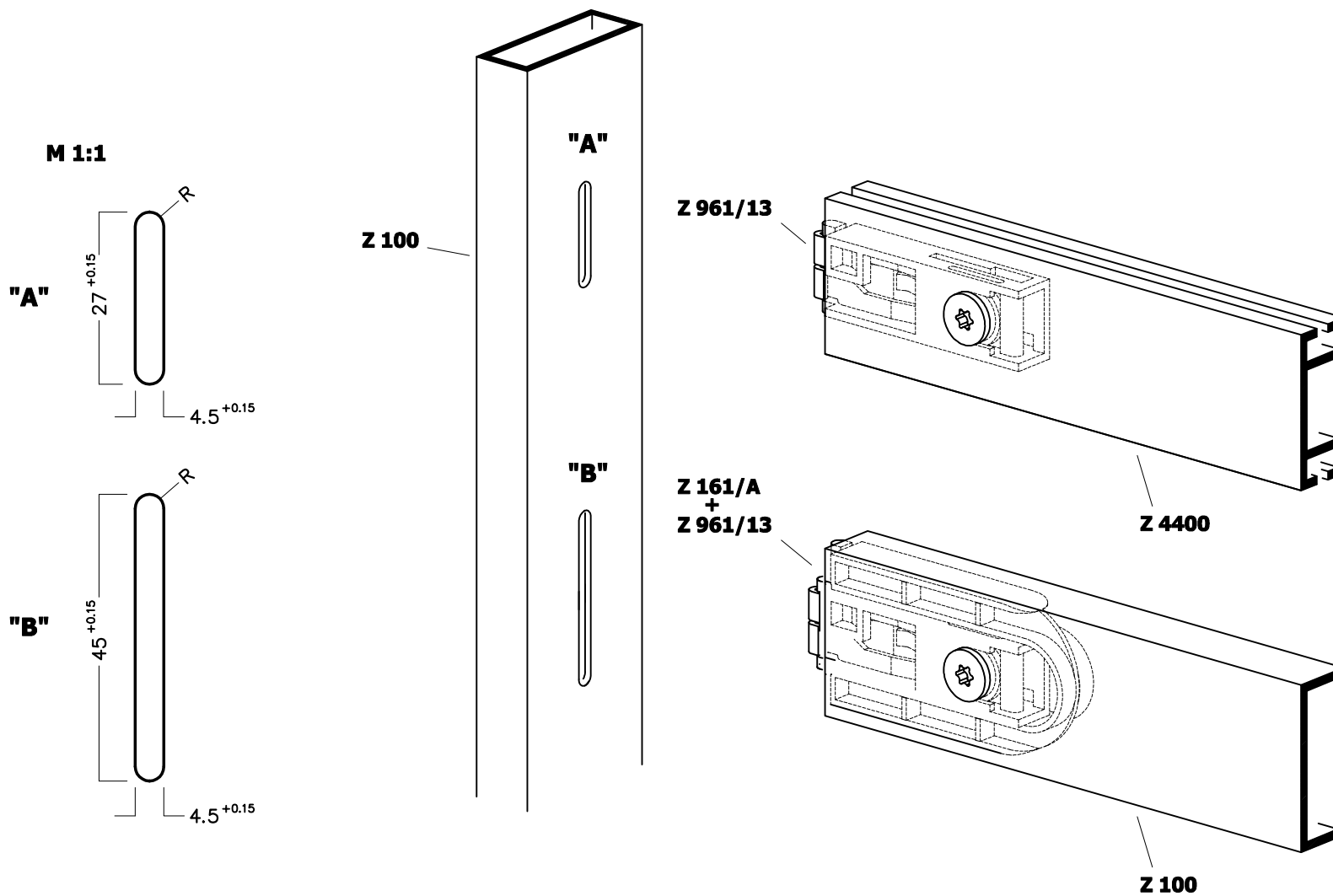


# Slot hole cutout in extrusions with 2mm wall thickness, "Tension Lock Adaption Groove"

TI-MB-Z10

## technical information



TI-MB-Z10 EW 3313.00 - 28.05.09/HB, geä. 05.10.09/HB - 11/2009 shift