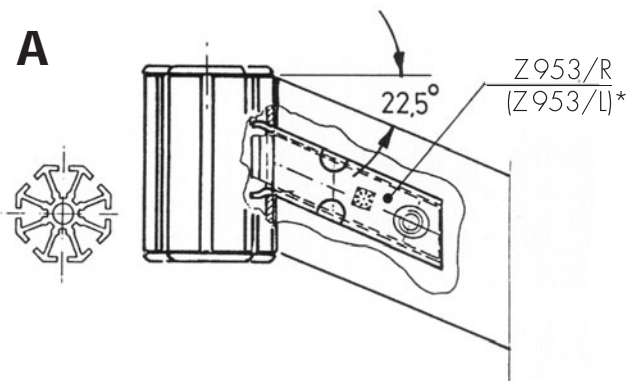


Practical examples:

Tension locks 22.5° (for extrusions with small hollow chamber 12 × 21 mm)



(Z953/L)*: optionally: drilling on the rear

