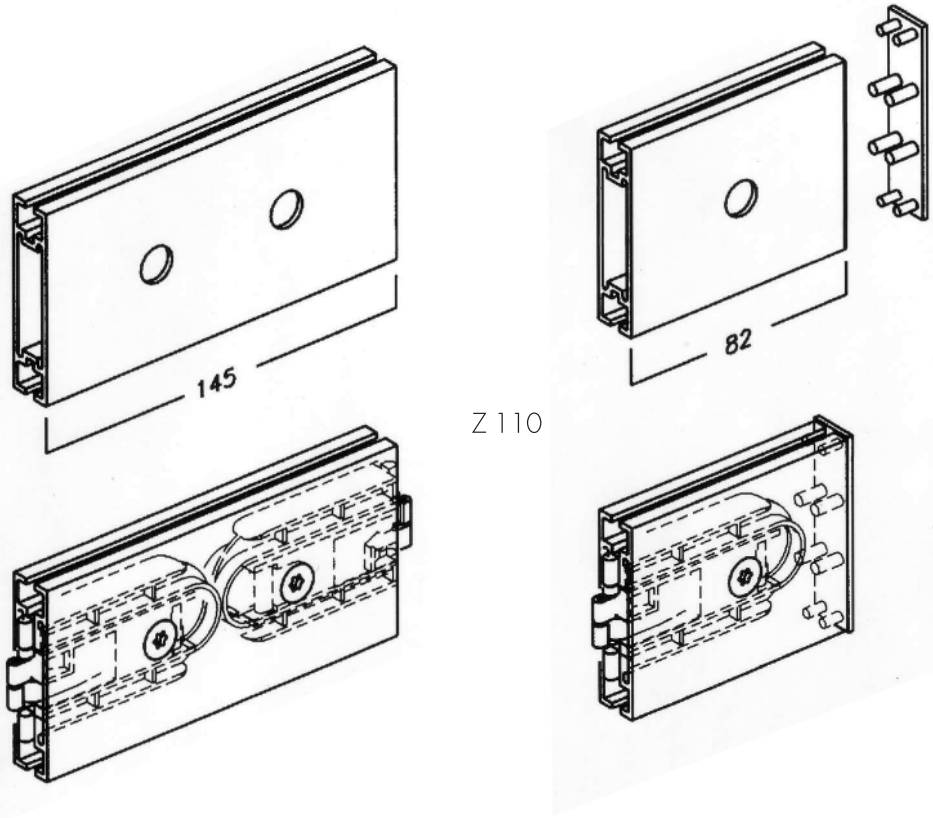


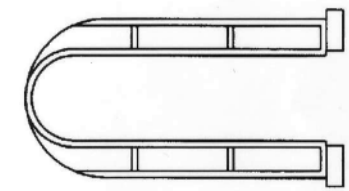
*Smallest beam cutting – tension claw with adapter –*



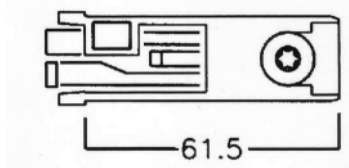
Z 110



Z 110



*Tension lock Z 961/13  
New: Tension claw*



*Tension lock Z 961/13*

