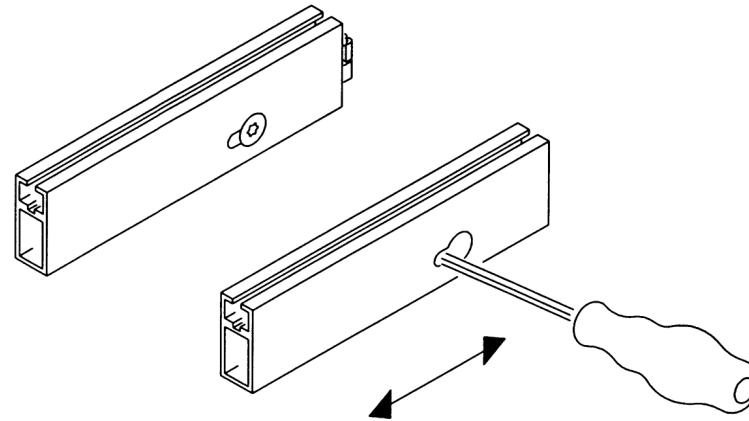


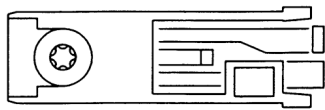
Tension lock with long slots

TI-MB-Z6.0

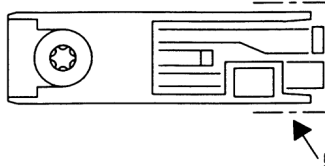
technical information



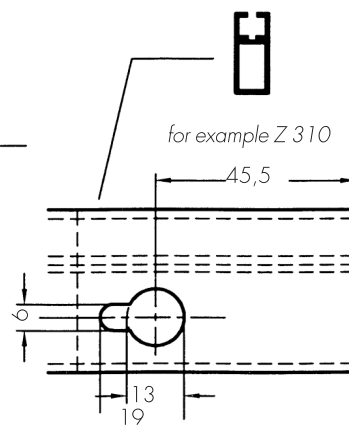
Z 961/13
Standard



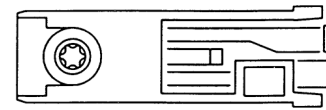
NEW Z 951/13



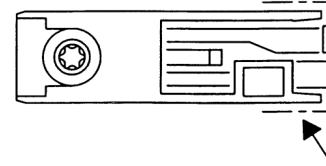
*without insertion limit!
(housing zinc die casting in yellow)*



Z 961/8
Standard



NEW Z 951/8



*without insertion limit!
(housing zinc die casting in yellow)*

