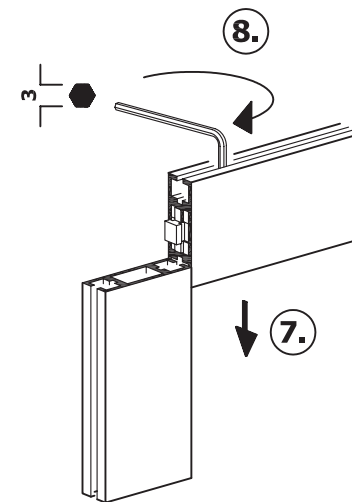
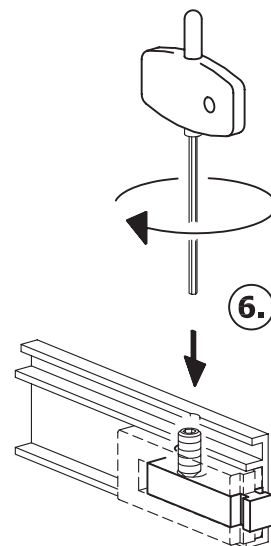
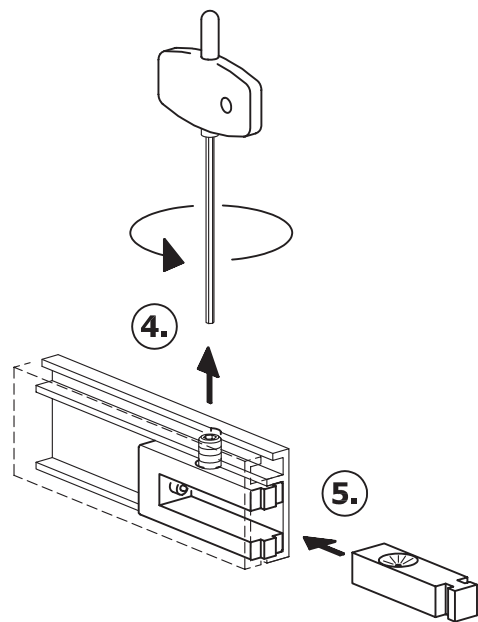
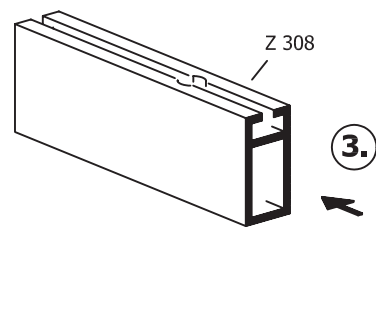
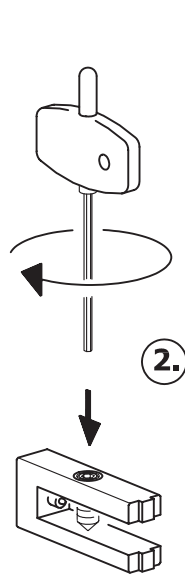
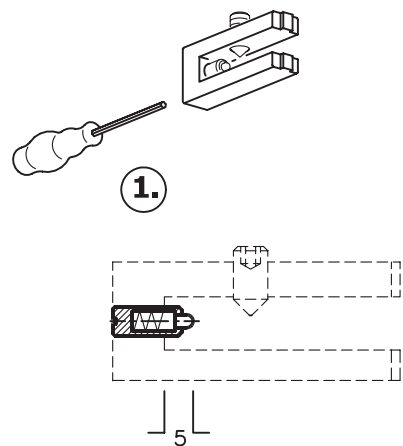
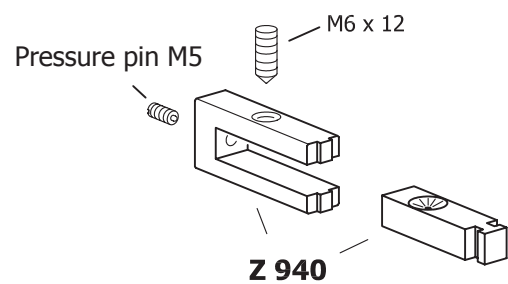


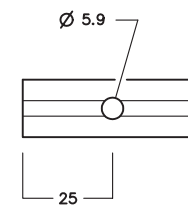
# Drilling dimensions and assembly instructions for Z 940

TI-MB-Z 8.0

## technical information



Drilling dimensions:



TIMB-Z 8.0 EW 2861-00 21.07.06, gez:HB